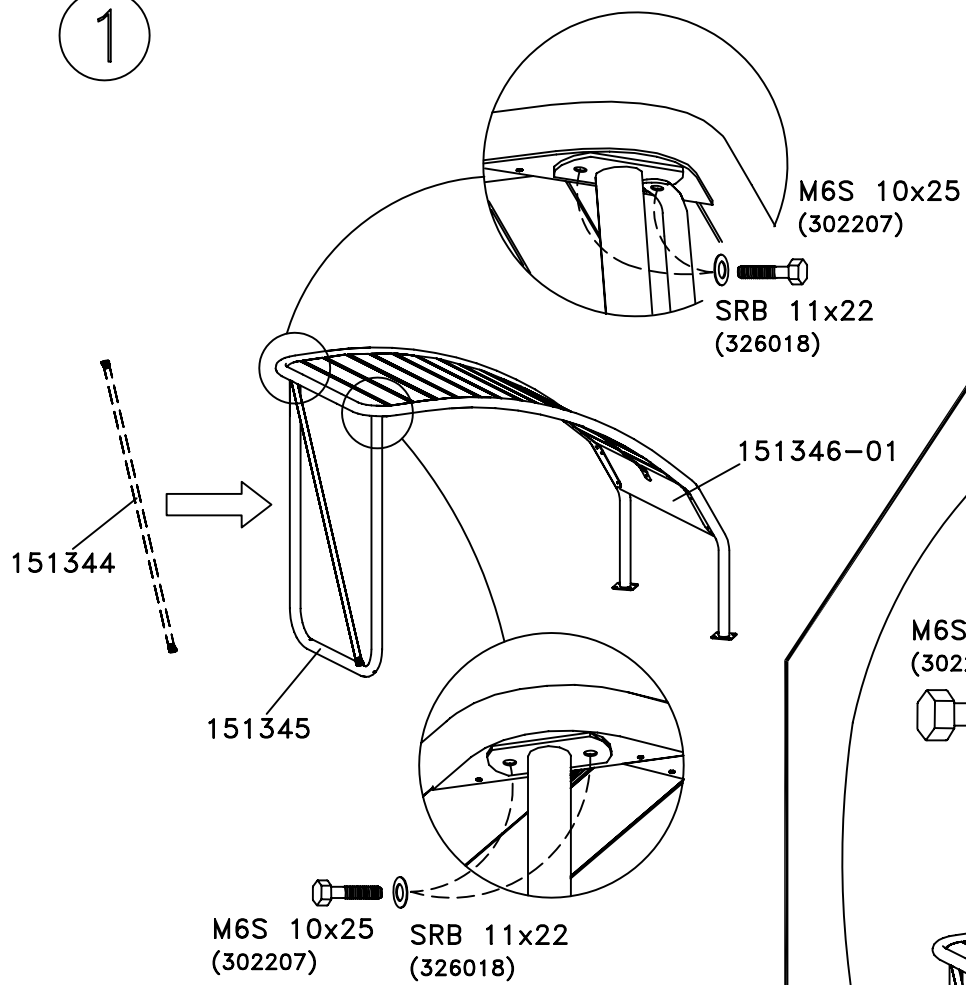
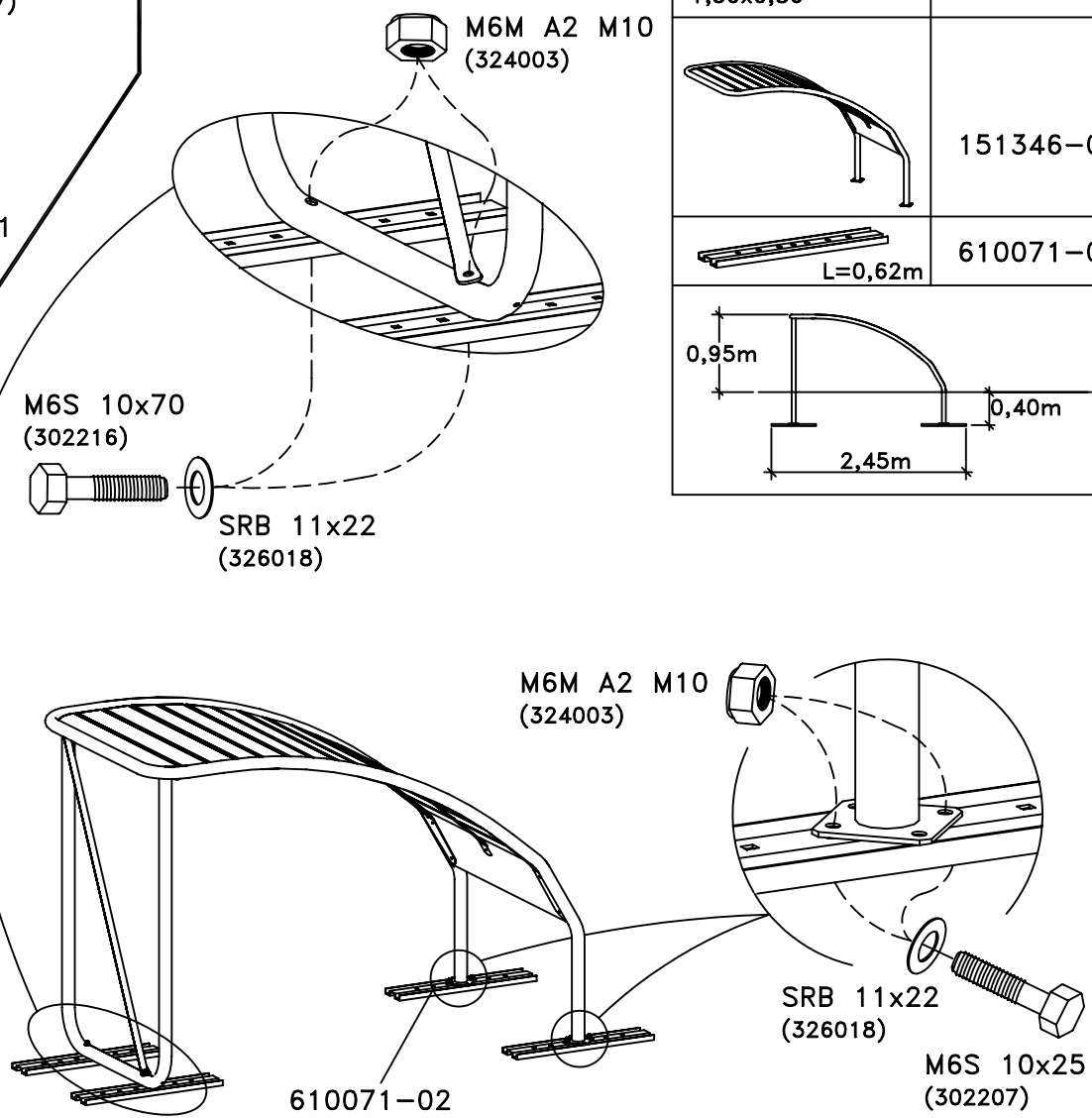


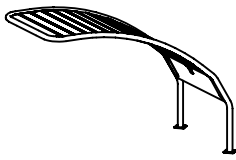

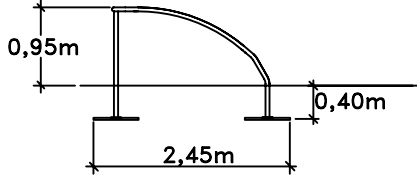


1



2



TYPE	HAGS NO.
 L=1,47m	151344
 1,30x0,86	151345
	151346-01
 L=0,62m	610071-02
	

**HAGS** ANEBY, SWEDEN  
+46(0)380-47300  
www.hags.com

Ramp  
151 346  
1(1)

Anki Jot 2008-11-21 5