
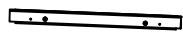
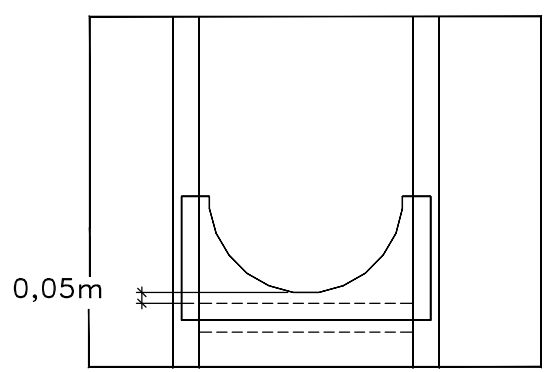
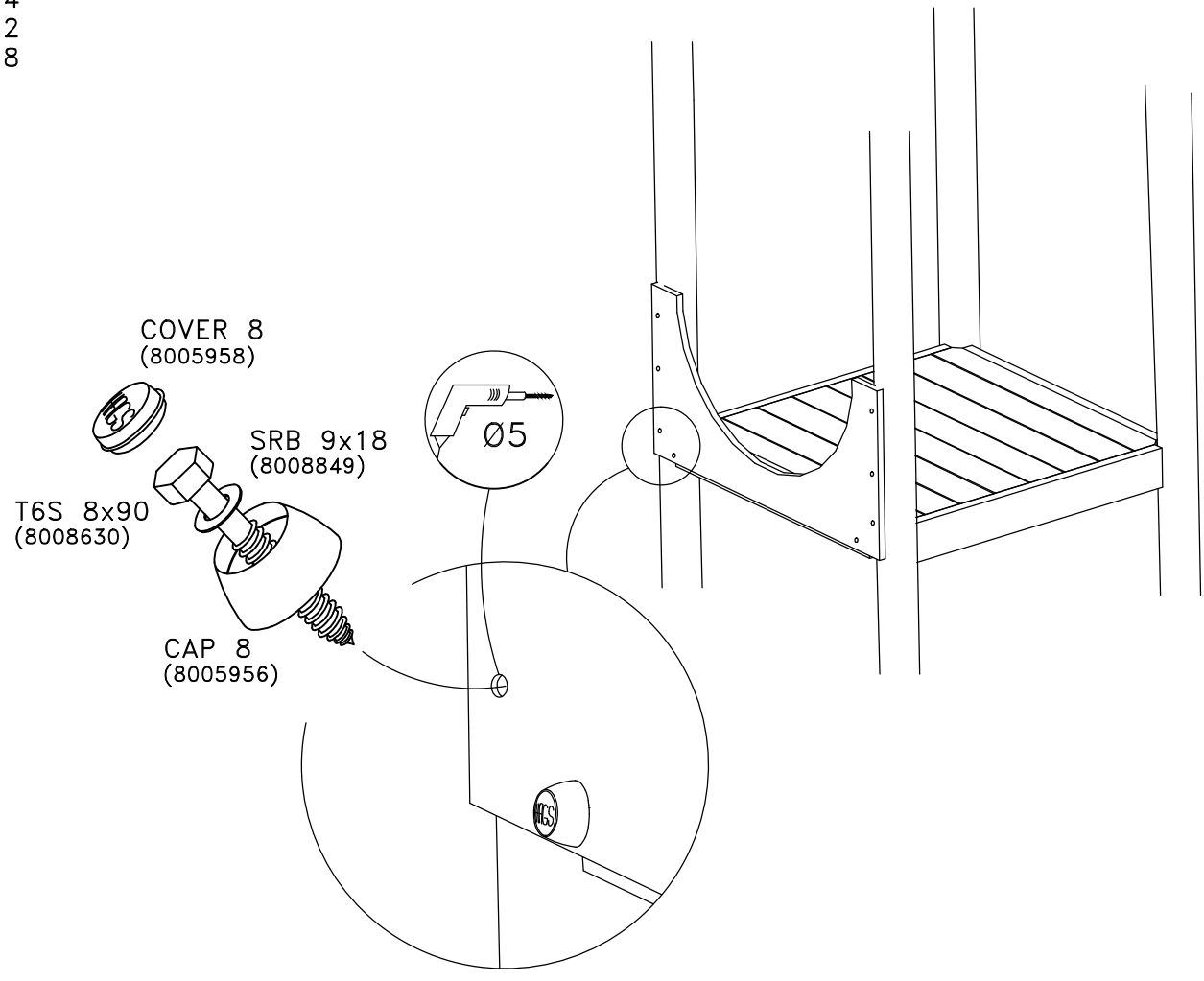


TYPE	HAGS.NO
 1,05x0,52m	8002874 8002612 8002618
 0,91m (2x)	8066109 8010017

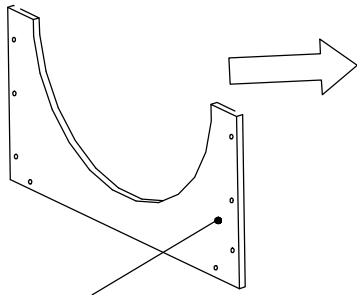


**HAGS** ANEBY, SWEDEN  
+46(0)380-47300  
www.hags.com

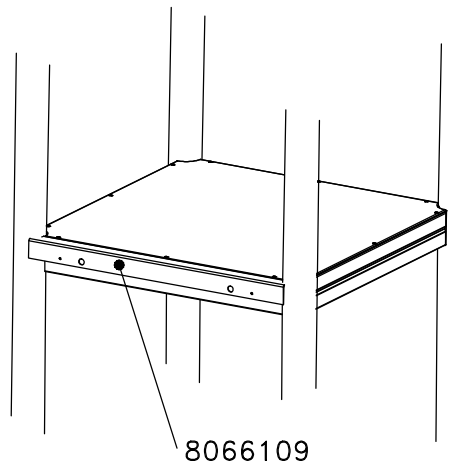
Inclimbing half  
428 543  
1(2)

TJ ToB 2017-10-26 0

HPL



8002874  
8002612  
8002618

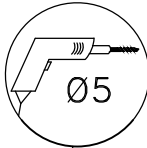


8066109

COVER 8  
(8005958)

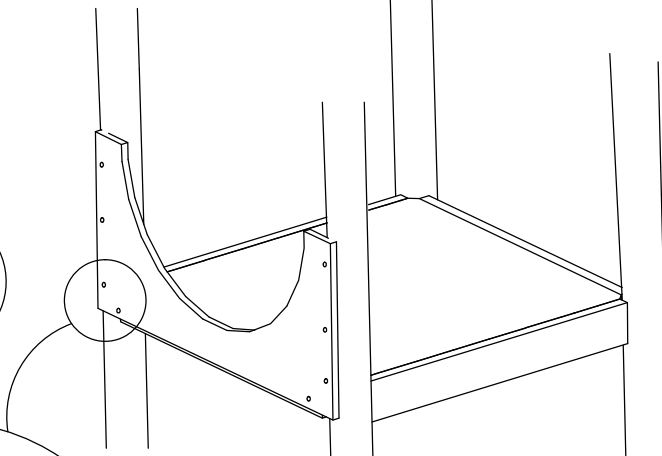
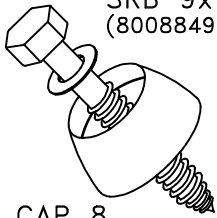


SRB 9x18  
(8008849)



T6S 8x90  
(8008630)

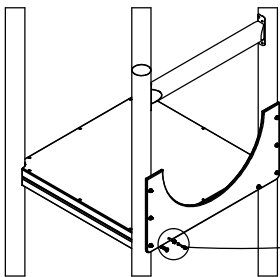
CAP 8  
(8005956)



Distance Ø10x15  
(8005955)

Cap M6  
(8005954)

Washer 6.4x14x1.6  
(8008848)



Nut M6  
(8042808)

Cover M6  
(8005952)

Washer 6.4x14x1.6  
(8008848)

Cap M6  
(8005954)

ISO4014-M6x30  
(8008334)

Cover M6  
(8005952)

**HAGS** ANEBY, SWEDEN  
+46(0)380-47300  
www.hags.com

Inclimbing half  
428 543  
2(2)

TJ ToB 2017-10-26 0