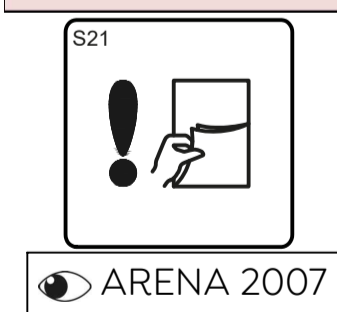


Code	Description	Quantity
SAP20	2m High Post	2
SAC20	2m High Corner Post	1
SA2LR	2m Rebound Frame	4
SAYKT	Kick Thro Target Panel	1
SAYLS	Left Hand Score Panel	1
SAYRS	Right Hand Score Panel	1
SAYGK	Beat the Goalkeeper Panel	1
TOTAL		11



REVISION

MASW107065
13/02/24 DOCID UPDATED 0

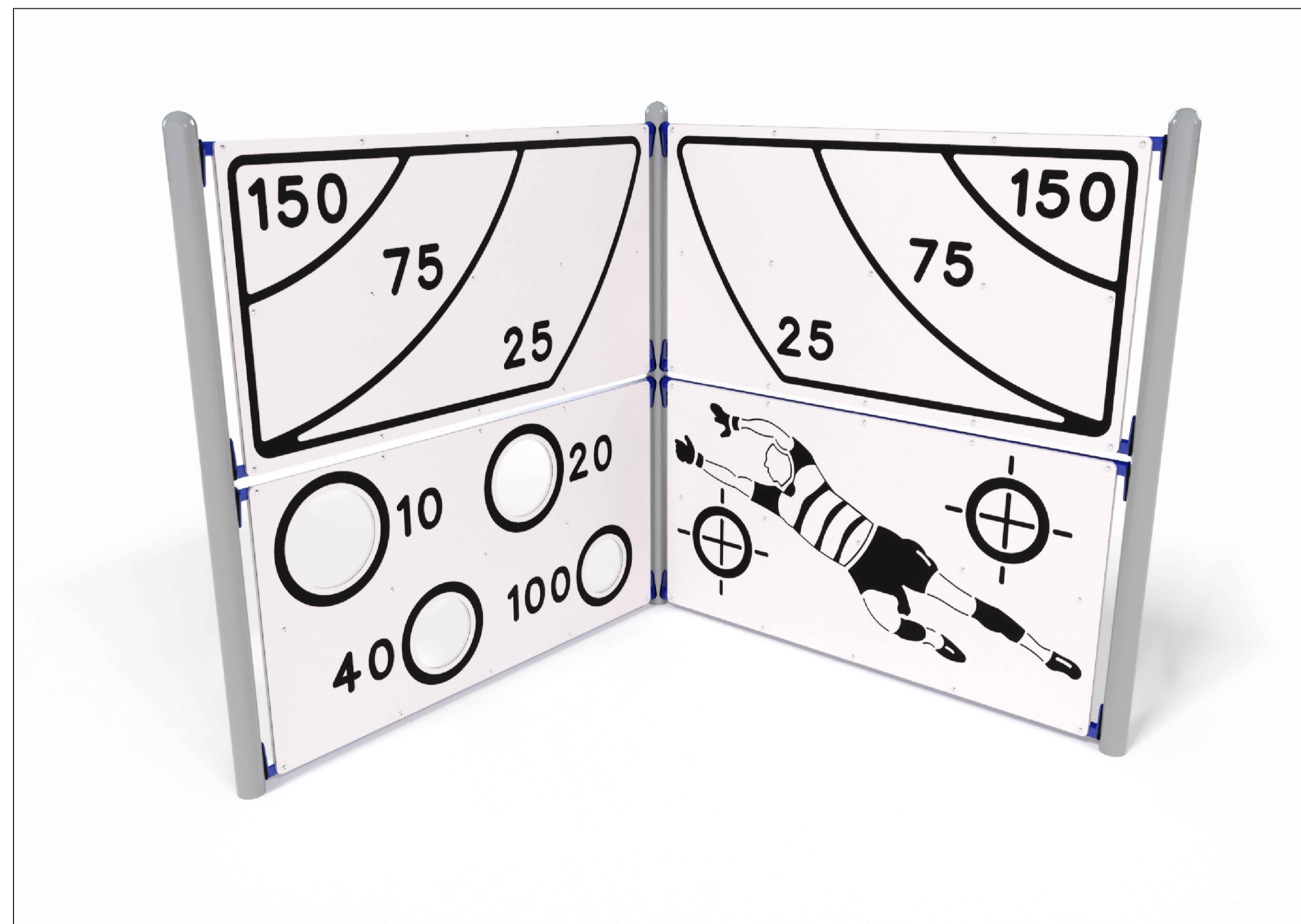
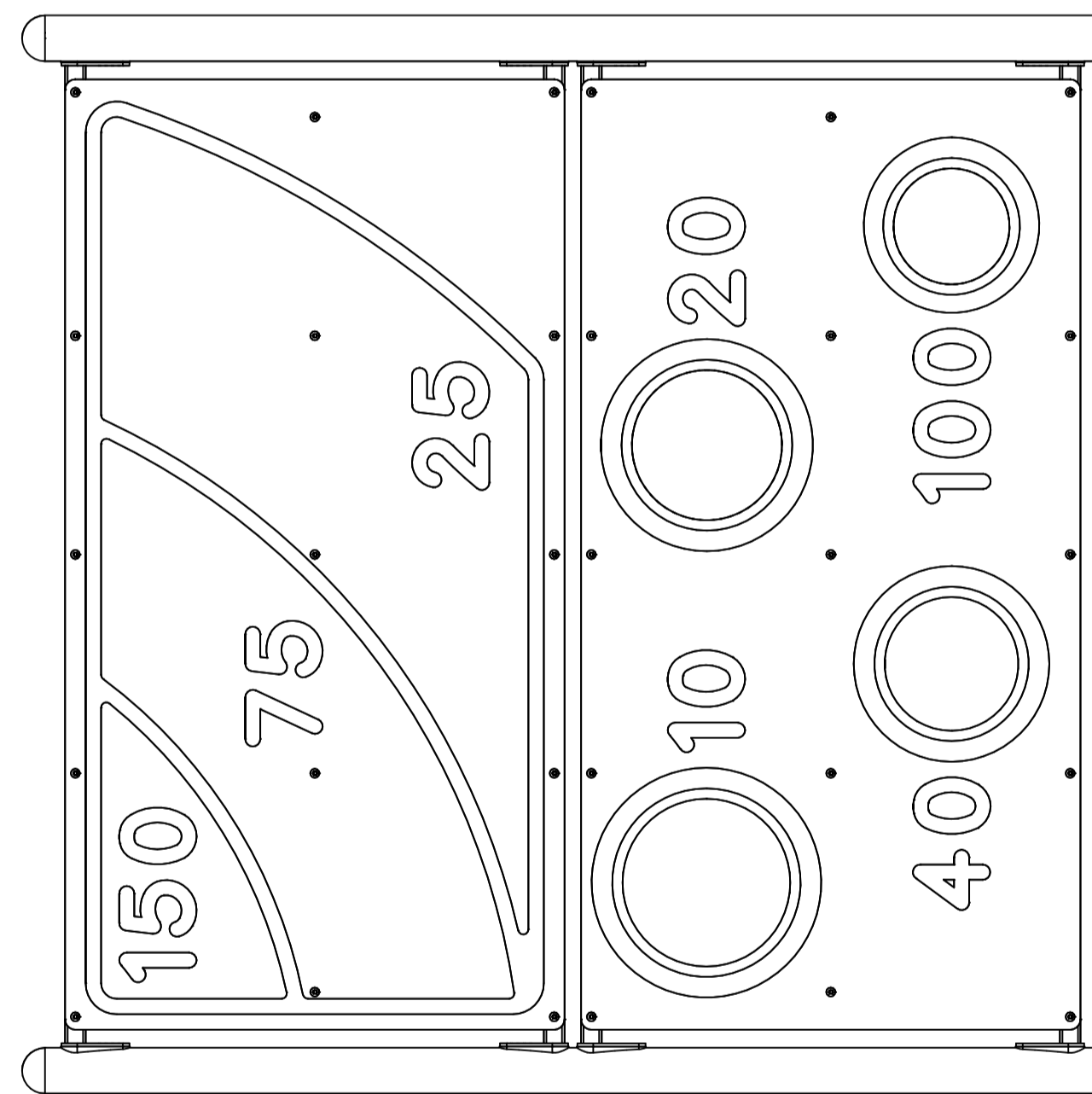
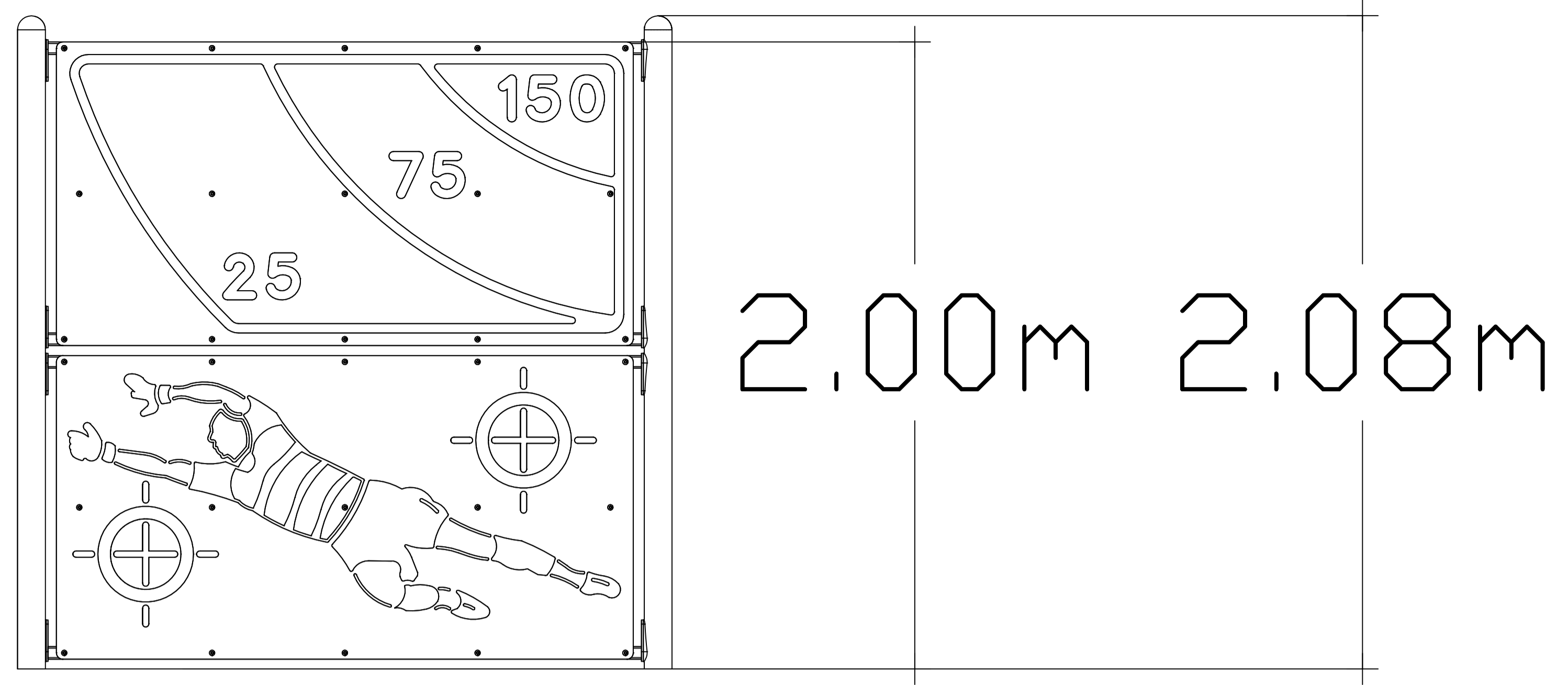
TITLE
SA-OM
ARENA OMAHA

HAGS®

T: +46 380 473 00 E: hags@hags.com W: www.hags.com

DATE: 13/02/2024
DRAWN BY: JW CHECKED BY: CCW

DRAWING NUMBER: MASW107065 REVISION 0



TITLE
SA-OM
ARENA OMAHA

HAGS®

T: +46 380 473 00 E: hags@hags.com W: www.hags.com

DATE: 13/02/2024
 DRAWN BY: JW CHECKED BY: CCW

DRAWING NUMBER: MASW107065 REVISION 0

© HAGS 2024 SHEET 2 OF 2