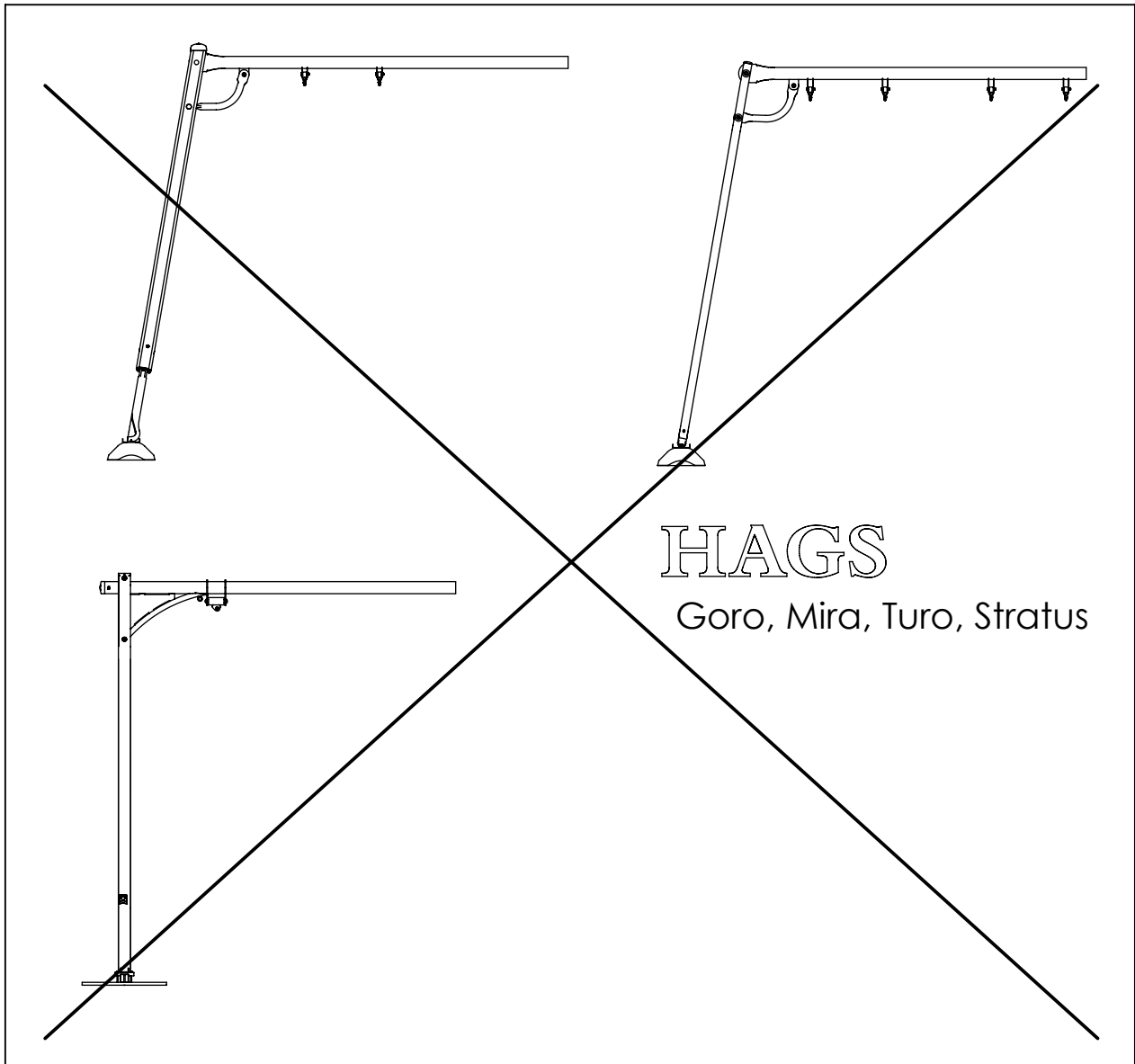
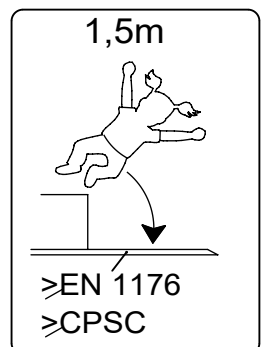
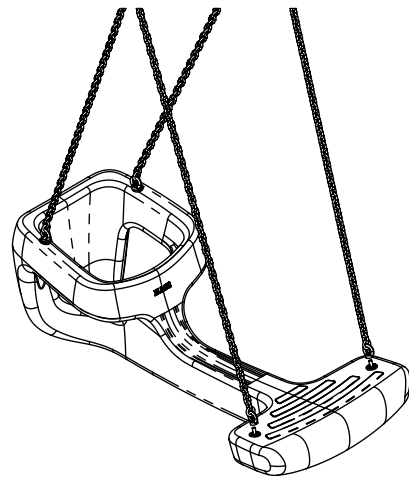
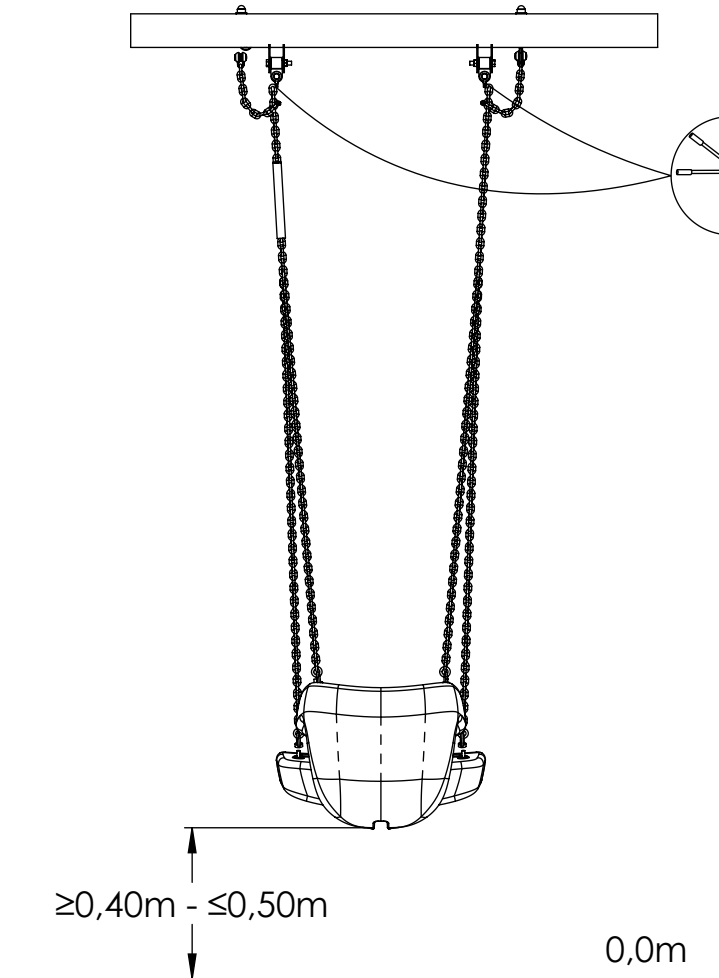


Assembly instruction for swing frames
NOT manufactured by HAGS.



FOR OTHER SWINGS

HAGS	ANEBY, SWEDEN +46(0)380- 47300 www.hags.com
Tango. For other swings	
MASW44518	
1 (4)	
 Tek  PK	2021-08-23 5

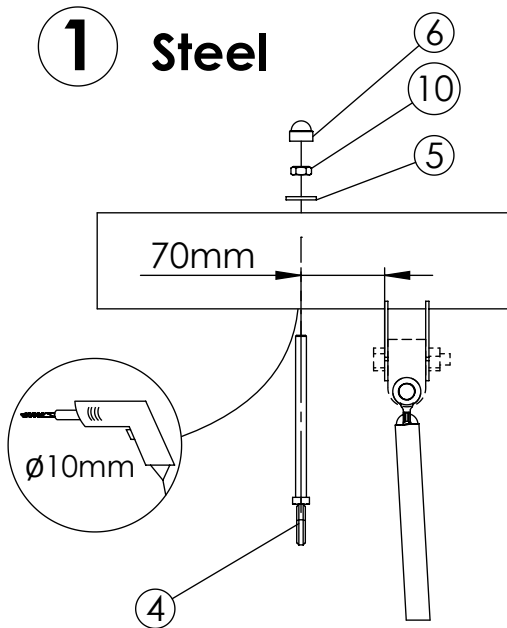


HAGS ANEBY, SWEDEN
 +46(0)380-47300
 www.hags.com

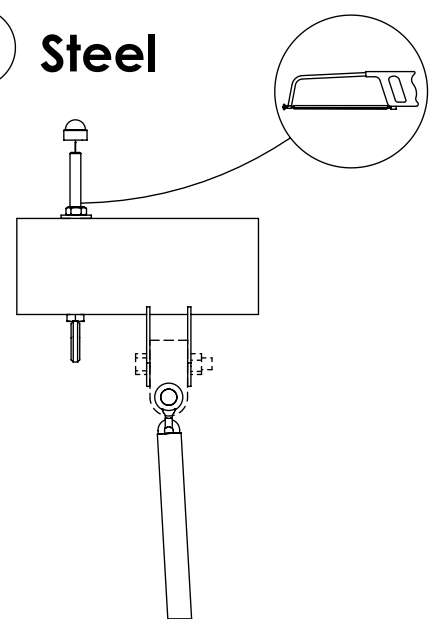
Tango. For other swings
MASW44518
 2 (4)

🏠 Tek👁️ PK 2021-08-23 5

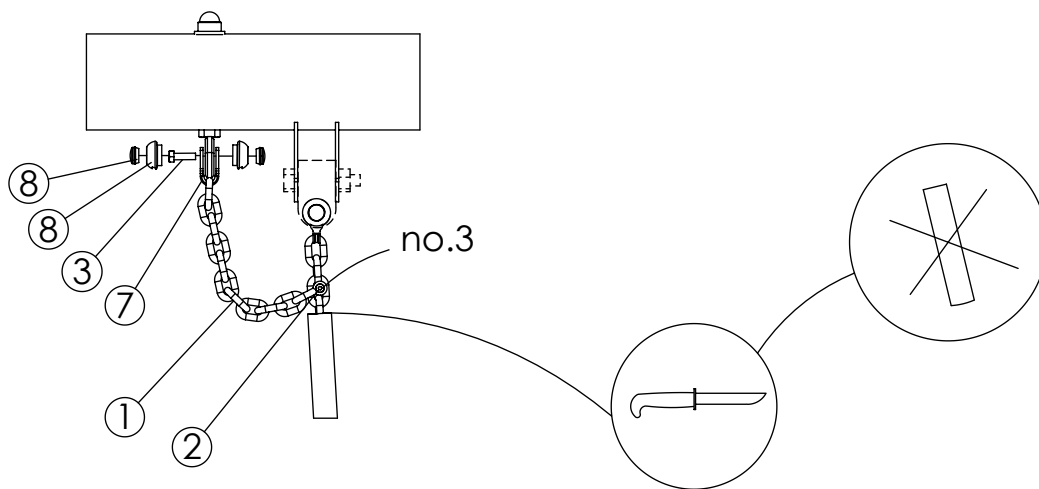
1 Steel



2 Steel



3 Steel



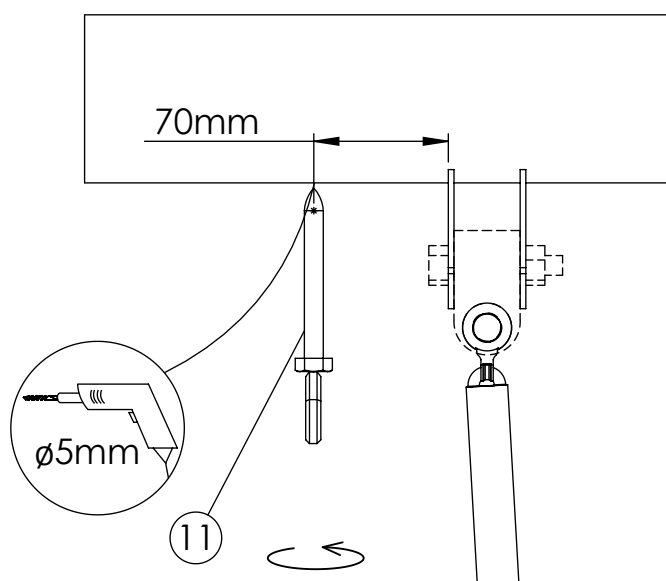
NR.	Description MA	Item Number	Qty
1	Safety chain	8054339	2
2	32x35mm	8041760	2
3	M6S M6x20 mm	8008330	2
4	M6S M10x150 w. ring	8055517	2
5	Ø10,5x28x3 mm	8008832 (326003)	2
6	Nut cover M10	8005664	2
7	SCH 40x17 mm	8008965	2
8	Cap M6, Ø26x14 mm	8005970	4
9	COVER M6, Ø16x8 mm	8005971	4
10	M6M-8 M10	8042810	2

HAGS ANEBY, SWEDEN
+46(0)380-47300
www.hags.com

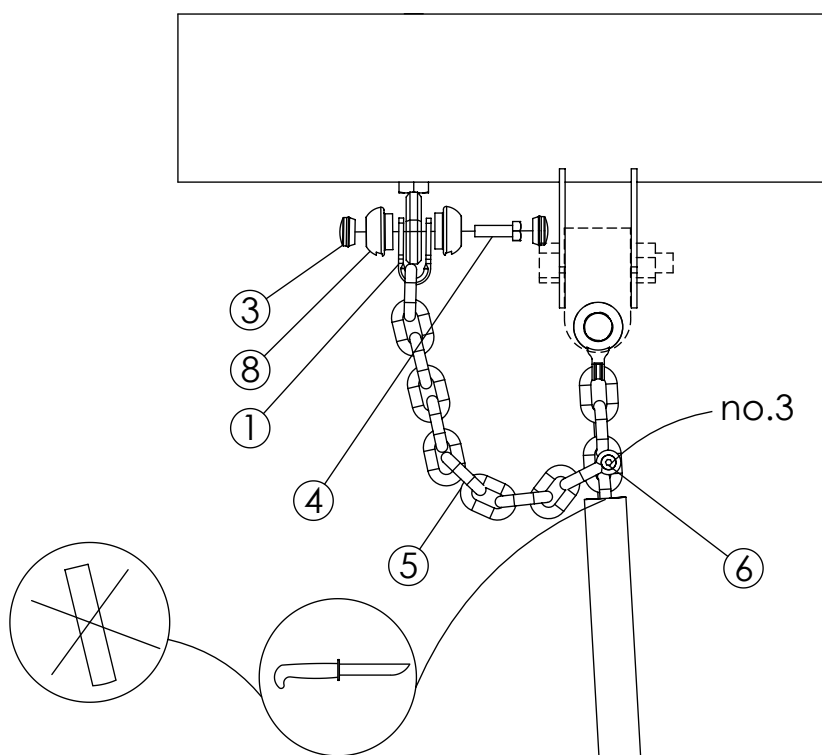
Tango. For other swings
MASW44518
3 (4)

TeK3 PK 2021-08-23 5

1 Wood



2 Wood



NR.	Description MA	Item Number	Qty
1	SCH 40x17 mm	8008965	1
3	COVER M6, Ø16x8 mm	8005971	2
4	M6S M6x20 mm	8008330	1
5	Safety chain	8054339	1
6	32x35mm	8041760	1
11	T6S M10x90 w. ring	8055518	2
7	Screw, wood, DIN571-10x90-8.8-PLAIN	8055054	1
8	Cap M6, Ø26x14 mm	8005970	2

HAGS ANEBY, SWEDEN
+46(0)380-47300
www.hags.com

Tango. For other swings
MASW44518
4 (4)