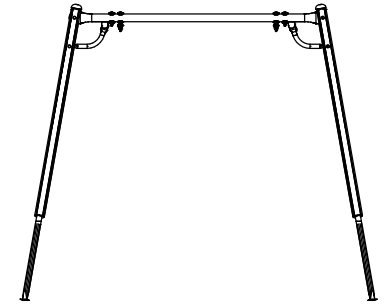
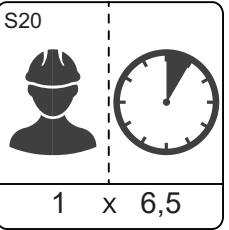
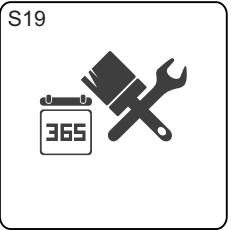
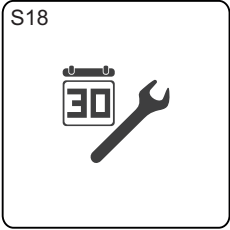
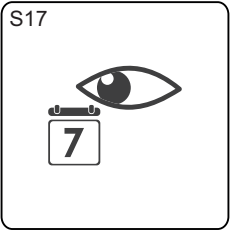
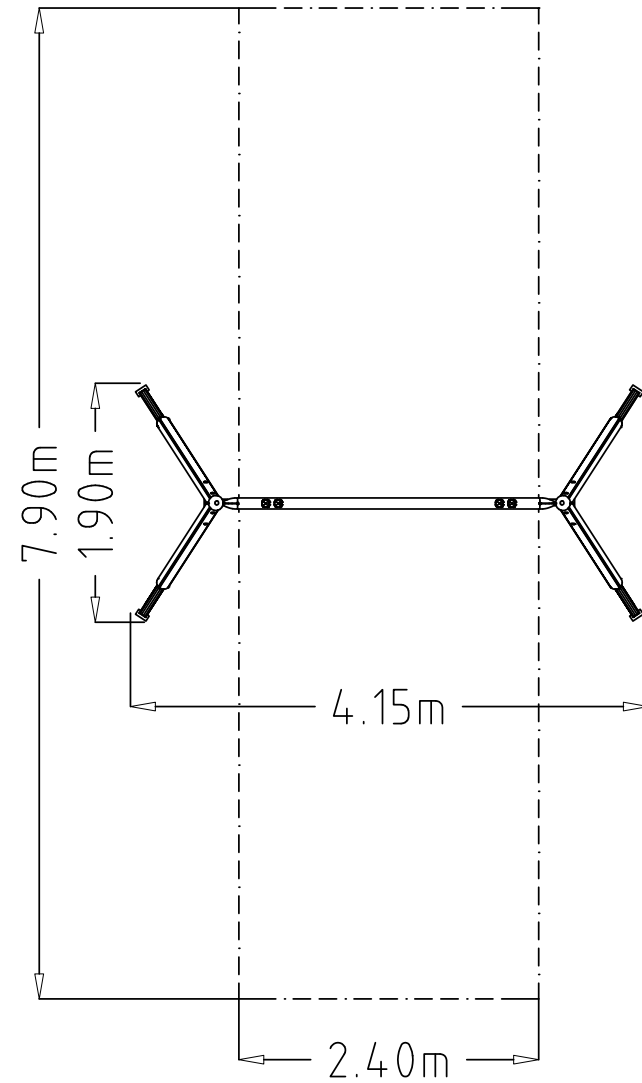
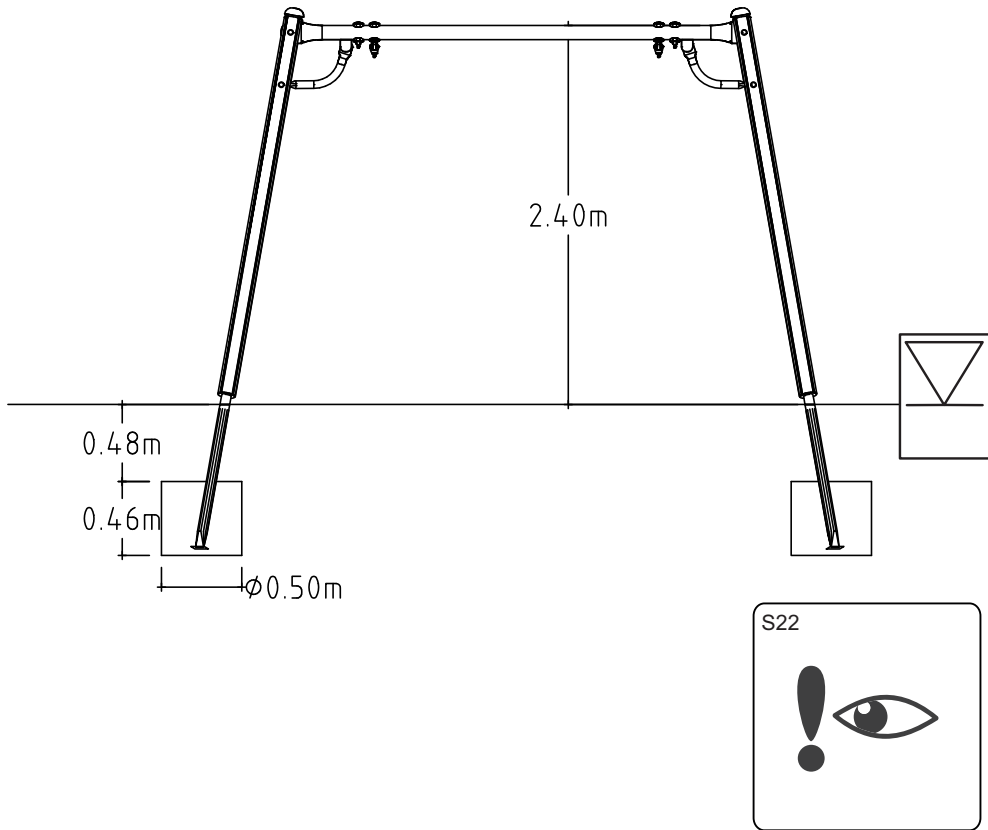


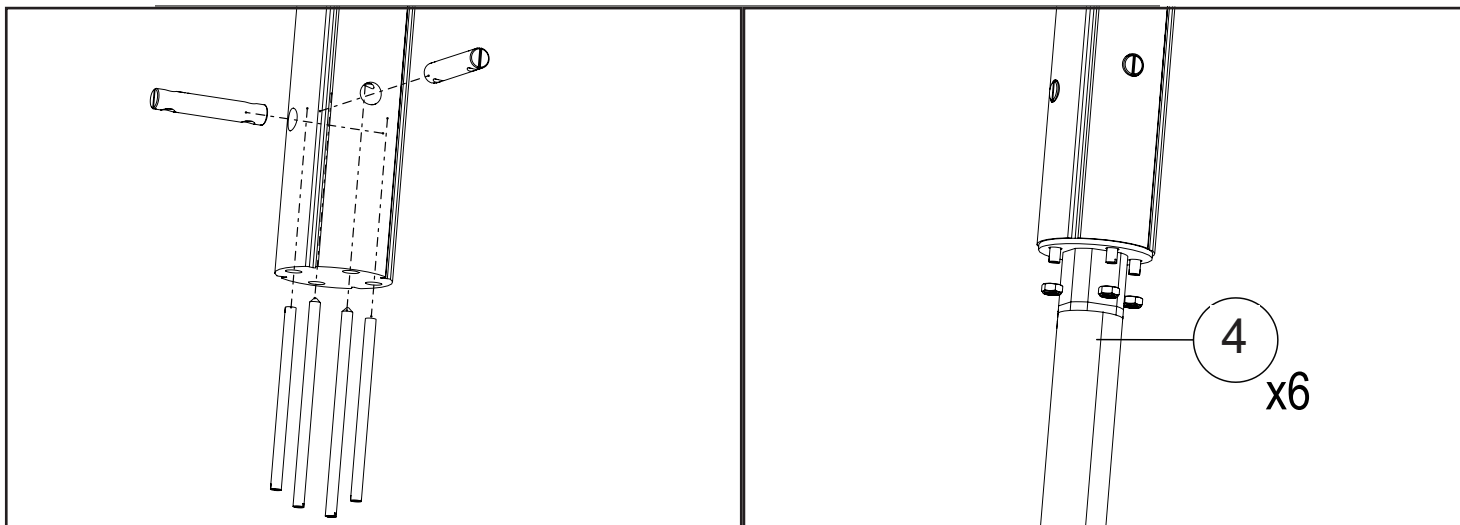
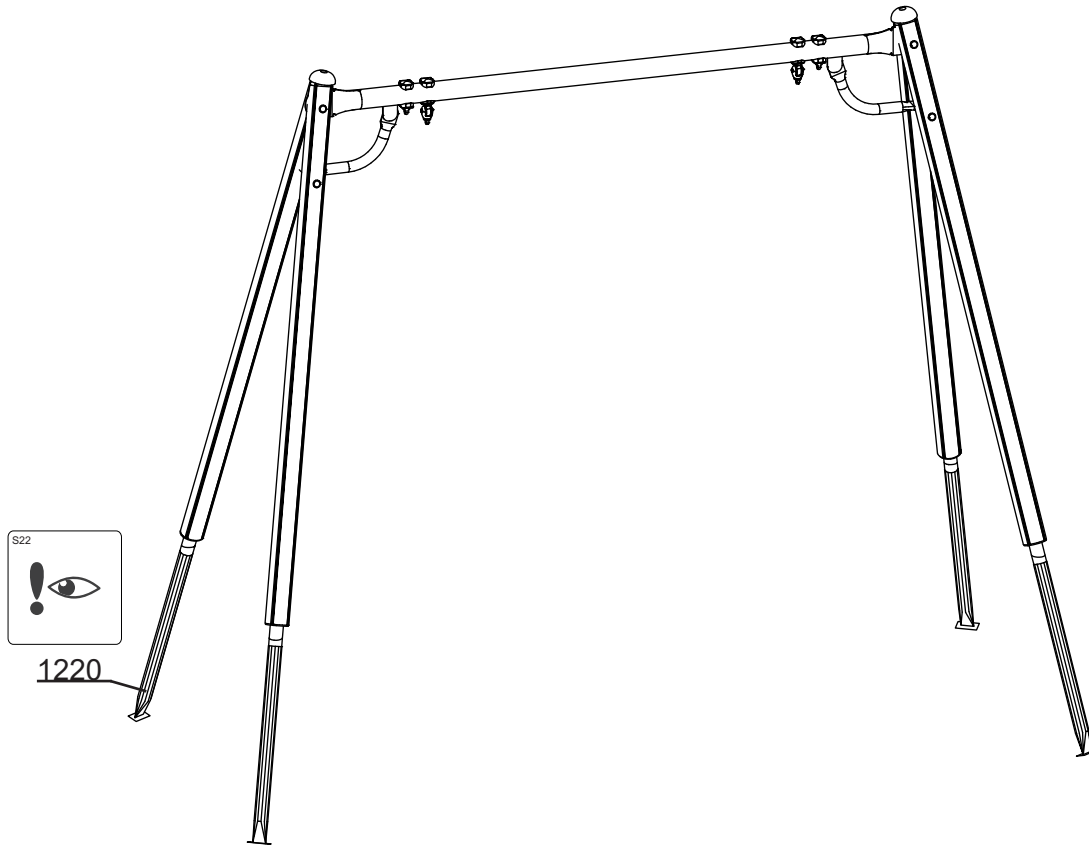
**CC**



1	SW80894		1x L=3257	34.48kg
2	SW71678		2x	0.291kg
3	32-03249		2x 500x430x300 mm	2.86kg
4	32-01850		4x	4.90-kg
5	8005537		8x Ø35x20 mm	0.01kg
6	8042811		4x ISO7042-M12-8	0.018kg
7	8008834		10x Ø12,5x30x3 mm	0.01kg
8	SW73082		4x Ø108.5 x 2495 mm	7.40kg
9	8008425		2x ISO4014-M12x130-8.8	0.1317kg
10	8008421		6x ISO4014-M12x90-8.8	0.0961 kg
11	8008411		2x ISO4017-M12x30-8.8	0.0429kg



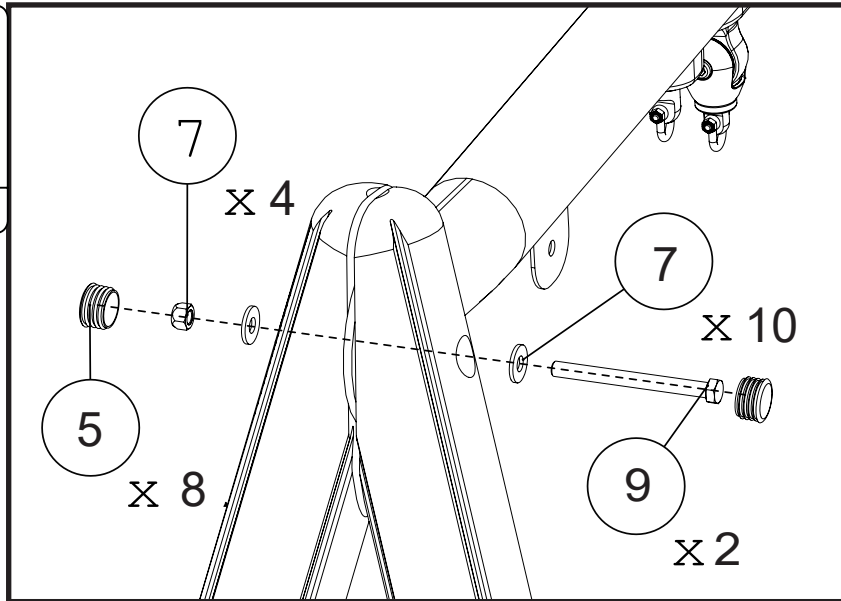




S11



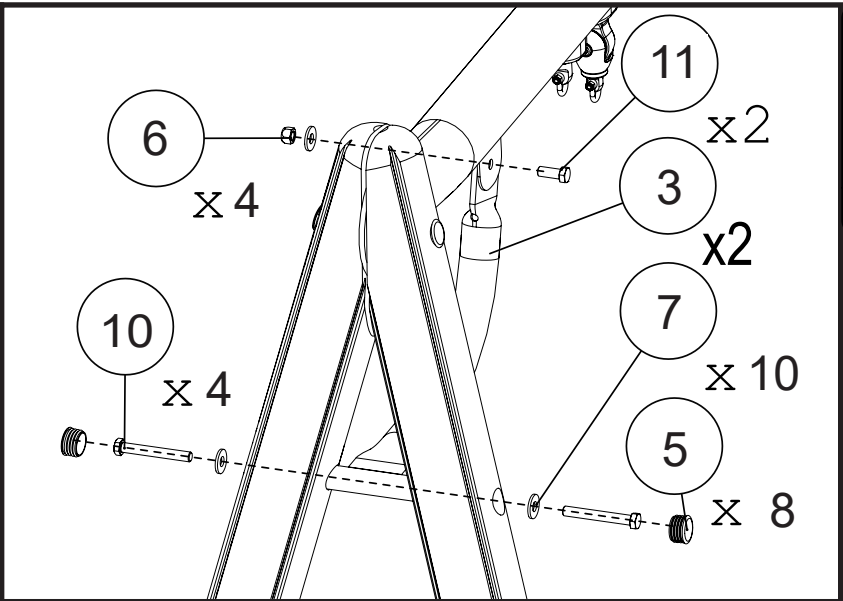
Nm  
81nM



S11



Nm  
81nM



S22



1227

