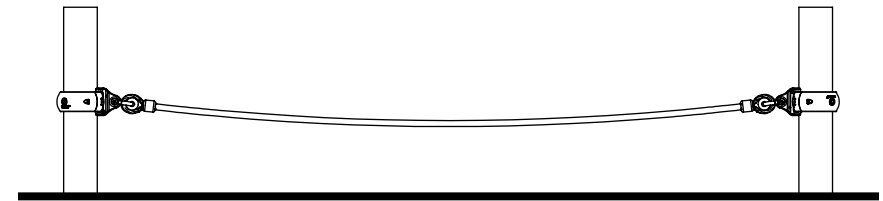


CC & BM

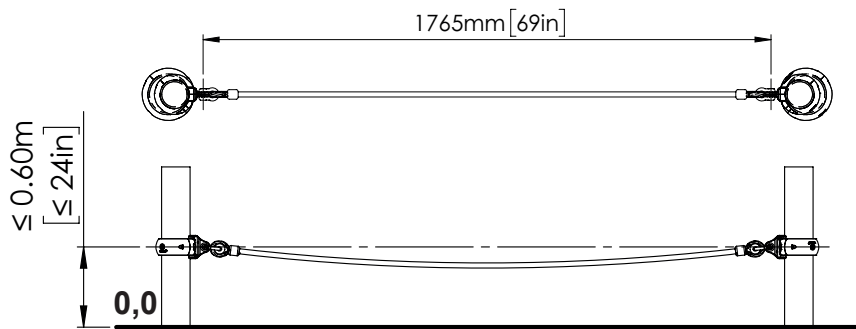


1 78605011



1x Ø16 x 1770 x 30

1.50kg



S12

kg

1.5kg

S15

L x W x H (m)

1.77x 0.03 x 0.03

S20

1 X 0.5

S6

EN1176

0.60m

S8

ASTM F1487

0.60m

S9

CSA Z 614

0.60m

