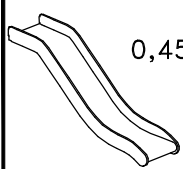

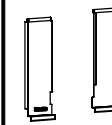
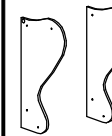

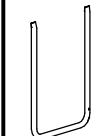
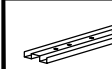
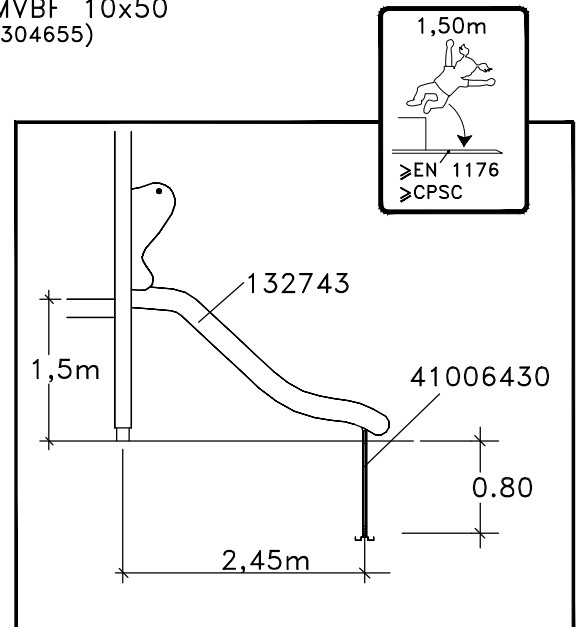


TYPE	HAGS.NO
 0,45x3,2m	132743
 0,89m	410601
 Right panel is marked with punched HAGS logo! 0,2x0,74m	135020-02 135021-02
 0,37x0,71m	135010-01 135011-01 135012-01 135013-01
 Ø25mm L=0,45m	153406
 L=1.04m	41006430
 0,62m	610071-02

A	TKFT 8x60 (310510)	18/15x4,5 (261817)	
B	COVER 8 (261808)	SRB 9x18 (326017)	SRB 9x18 (326017)
	M6S 8x40 (302161)	CAP 8 (261806)	M6M A2 M8 (324102)
C	COVER 10 (261814)	SRB 11x24 (326018)	
	M6S 10x25 (302207)	CAP 10 (261812)	

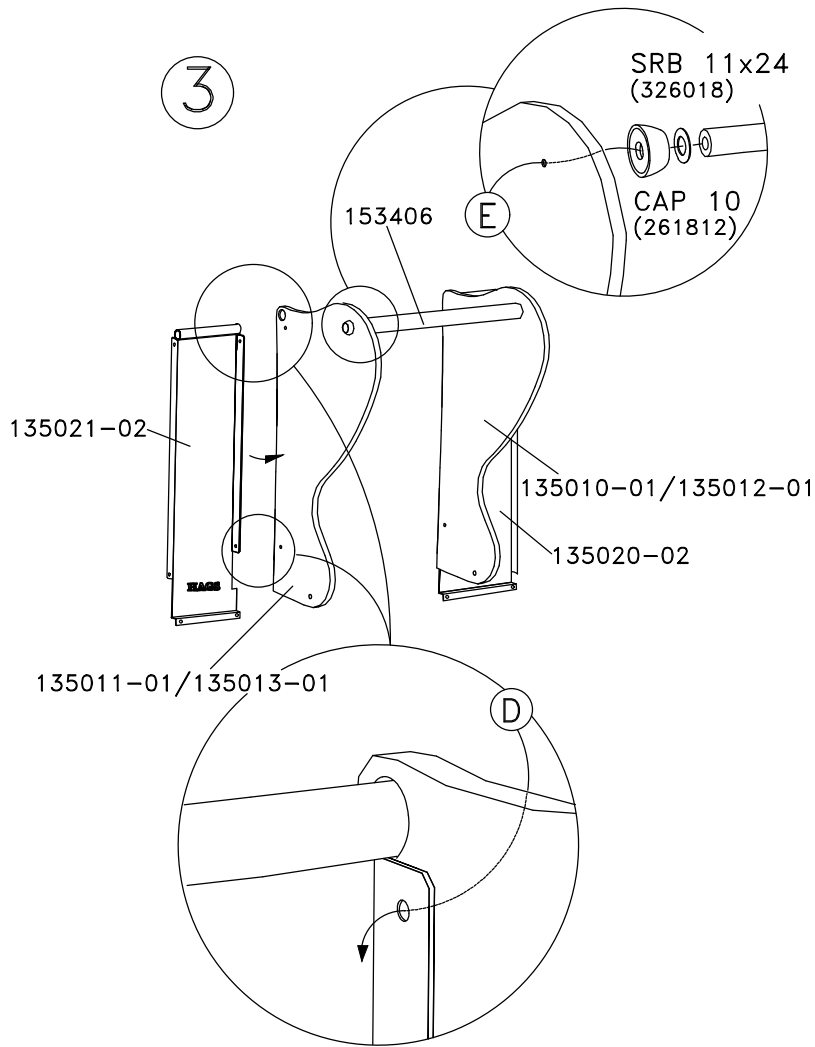


HAGS ANEBY, SWEDEN
+46(0)380-47300
www.hags.com

HPL Slide
424 213
1(2)

TJ - - 6

3

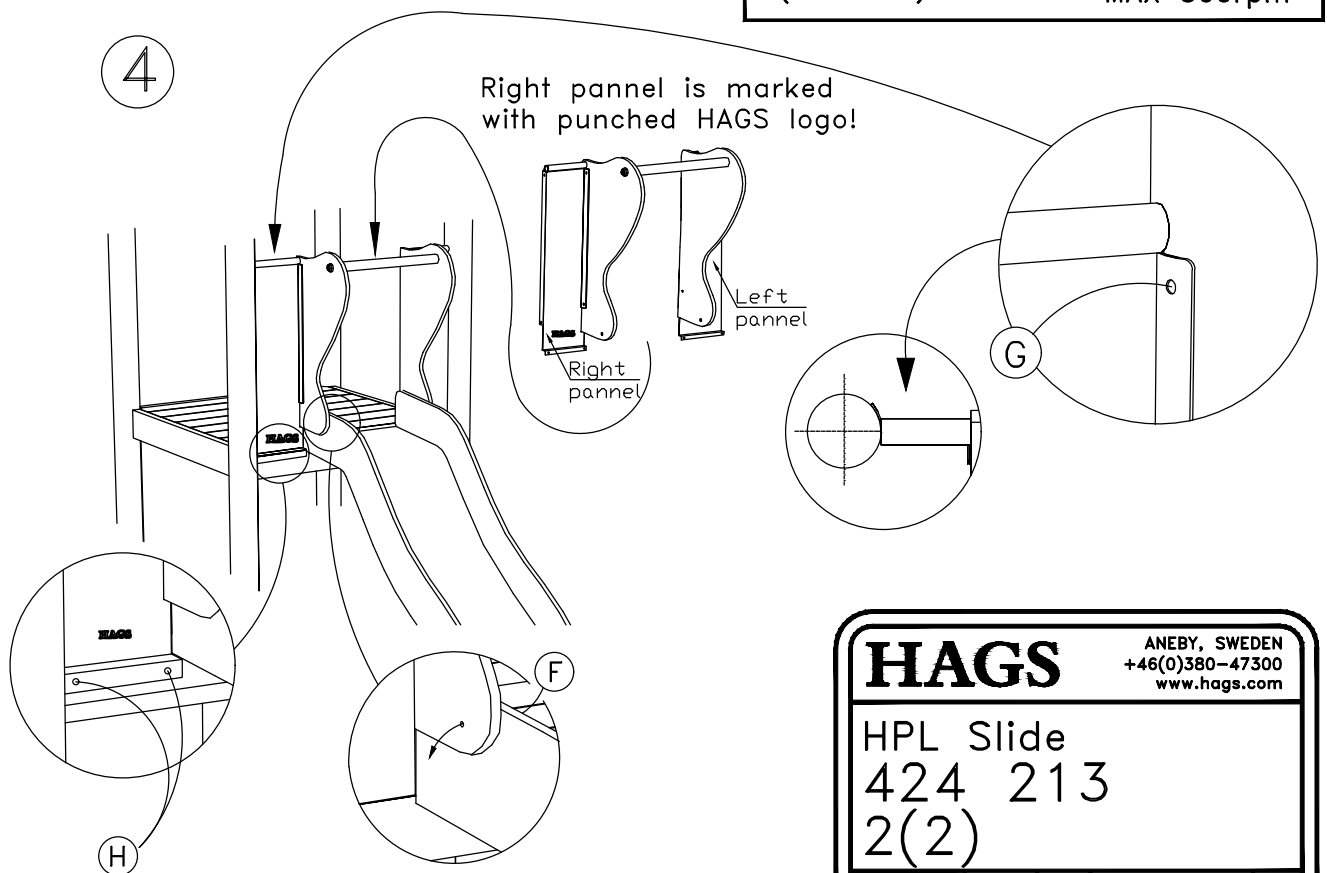


SRB 11x24
(326018)

CAP 10
(261812)

D	MVBF 6x25 (304552)	M6M A2 M6 (324101)	COVER 6 (261801)
E	COVER 8 (261808)	M6S 8x55 (302164)	SRB 7x14 (326016)
F	MVBF 8x45 (304605)	M6M A2 M8 (324102)	COVER 8 (261808)
G	TKFT 6x40 (311100)	15/7x3 (261819)	
H	Screw thr-forming M6x25-8.8-(ISO7380) (8027762)	Ø5,5 250 MAX 500rpm	

4



Right pannel is marked
with punched HAGS logo!

Right
pannel

Left
pannel

HAGS	ANEBY, SWEDEN +46(0)380-47300 www.hags.com
HPL Slide 424 213 2(2)	