





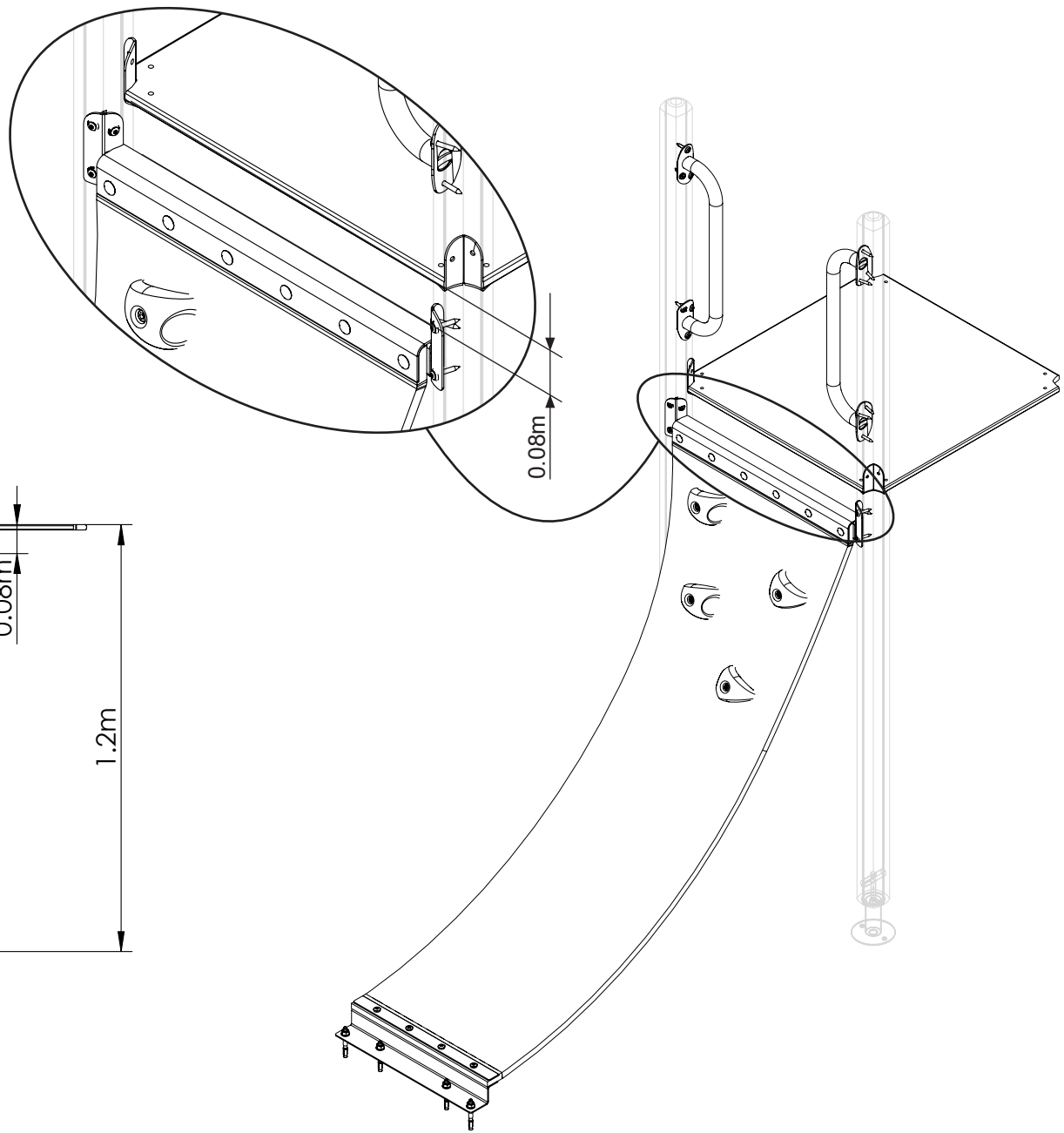
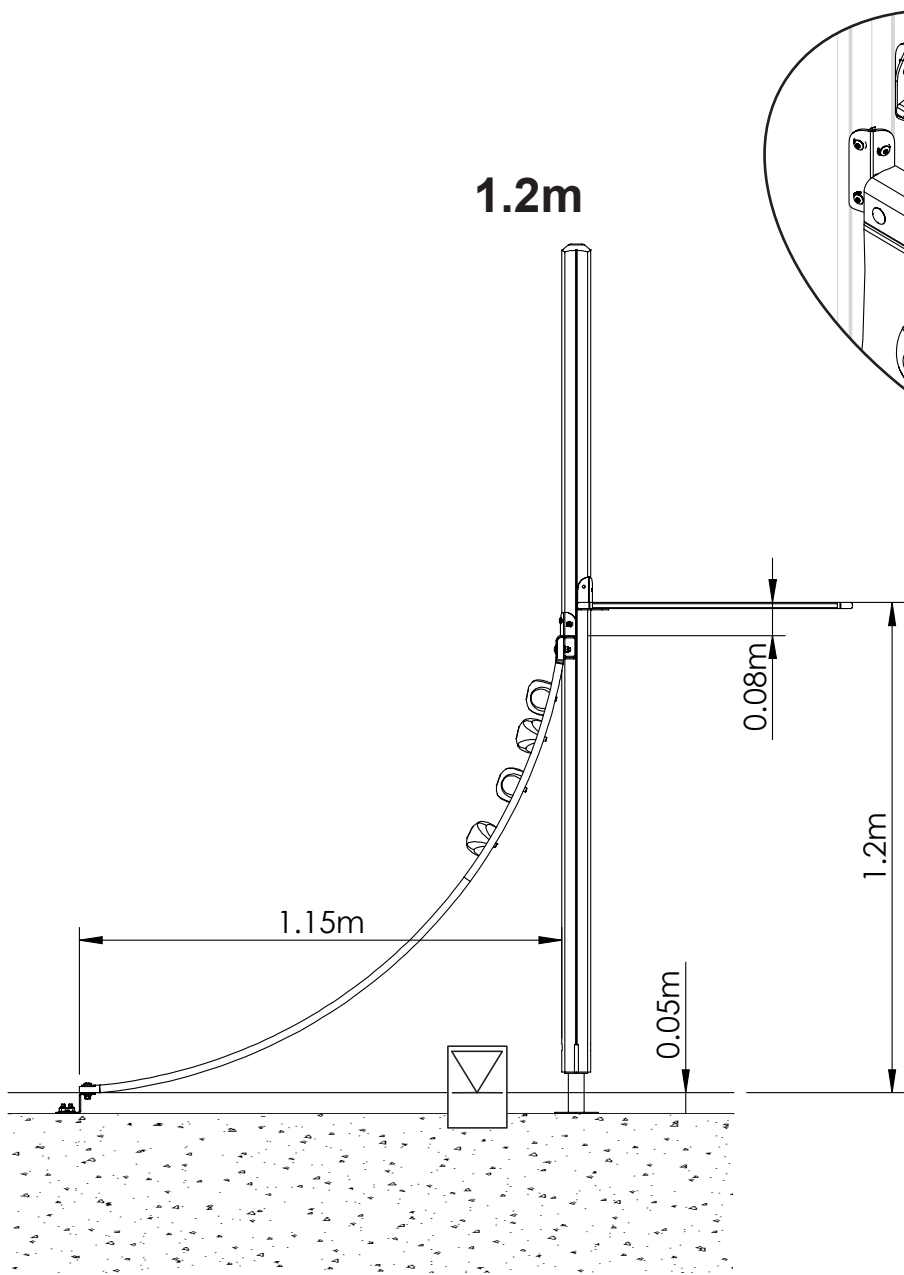


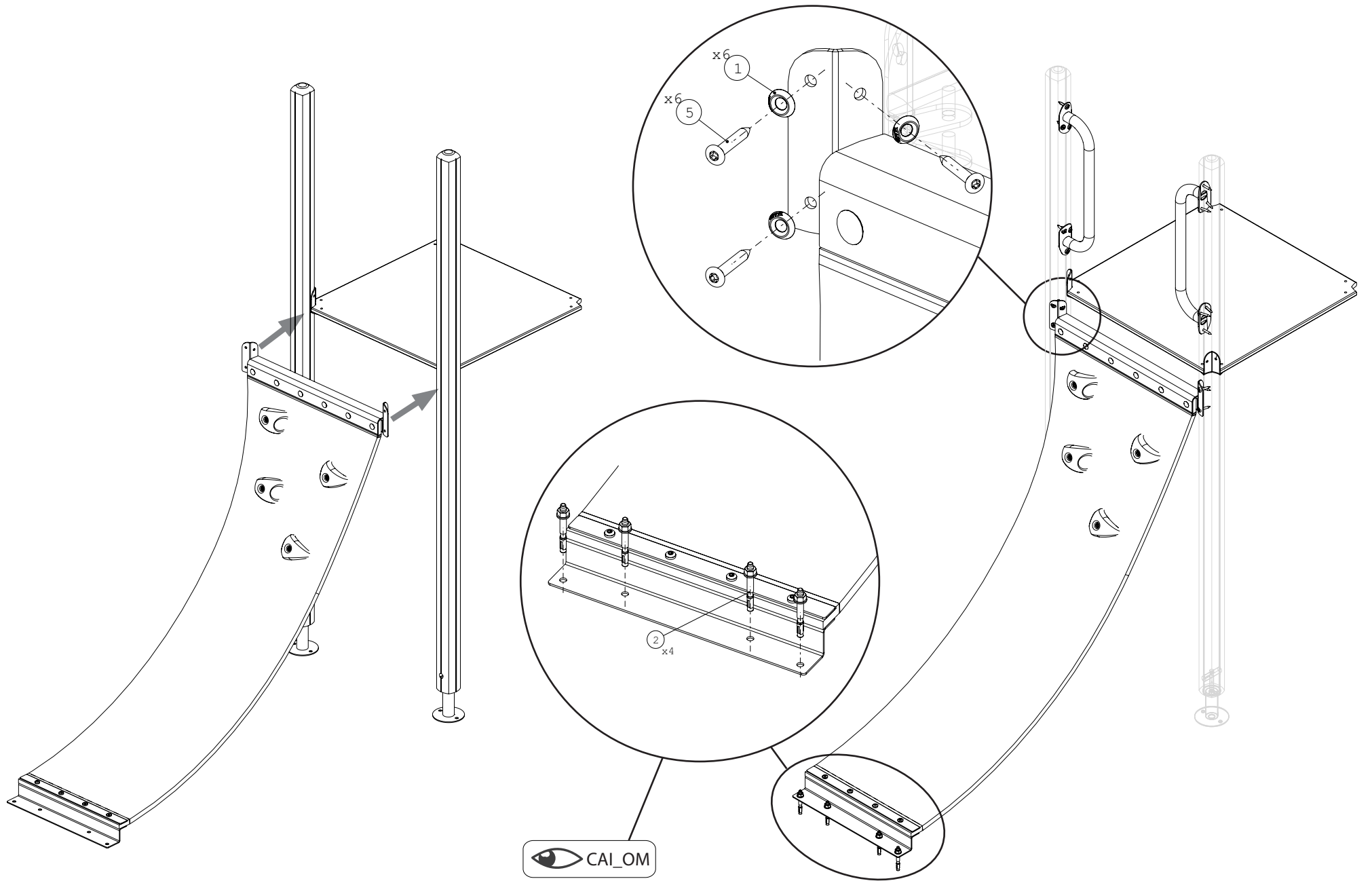
1	43-07232		6x Ø6 16/7 x 3 mm	0.001kg
2	8008561		4x Expansion anchor M10x86 HDG	0.04kg
3	SW18832		2x Handrail- Wood post	1.65kg
4	SW89480		1x Wobble climb	26.21kg
5	8008651		6x Screw, wood, TKFT-6x40-8.8	0.01kg

S20



2 x 0.21h





62099113

