


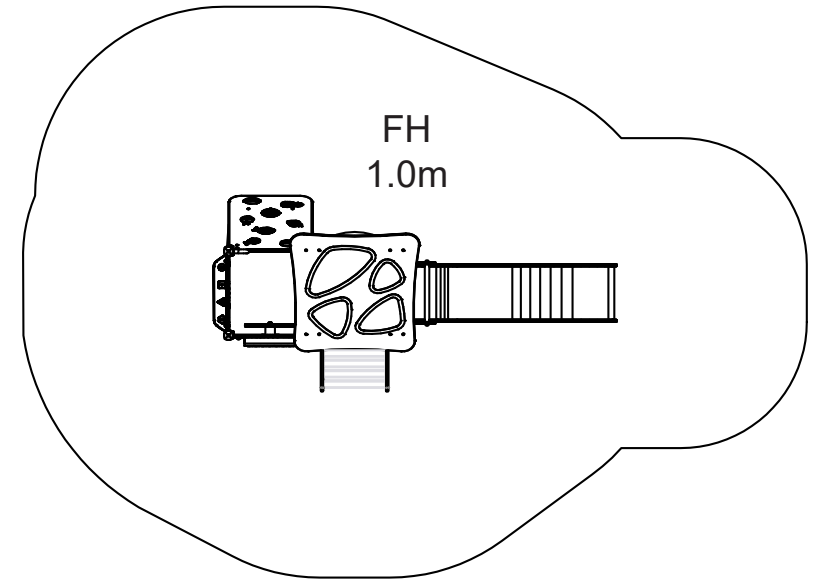
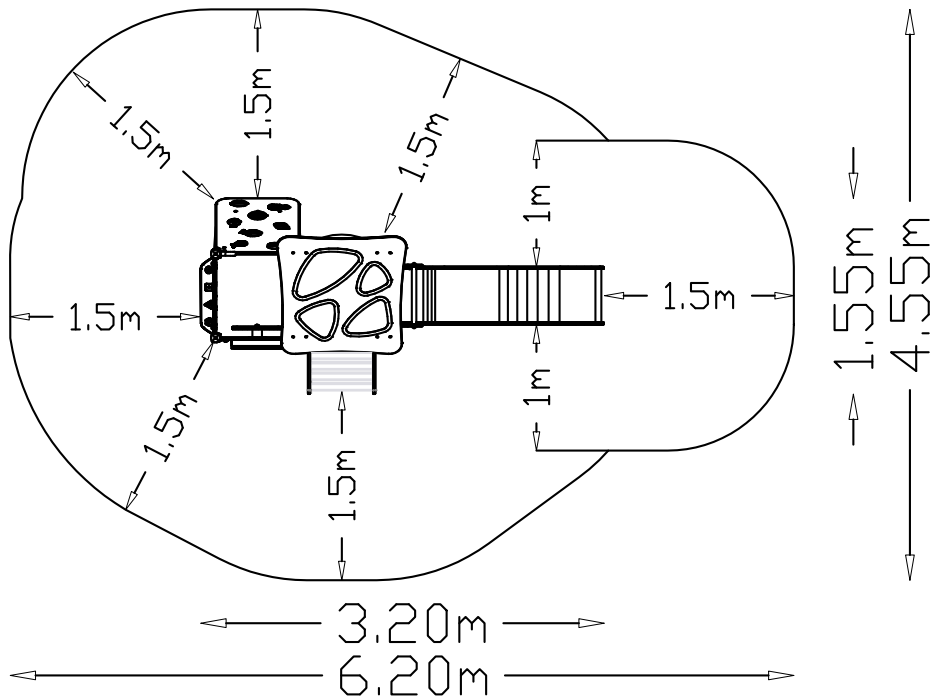
S6

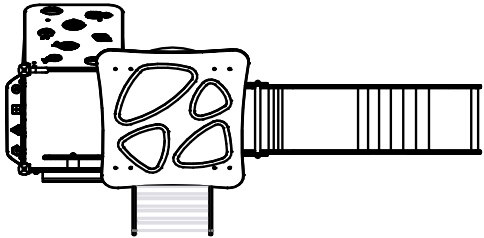


EN1176

1.0m

EN 1176

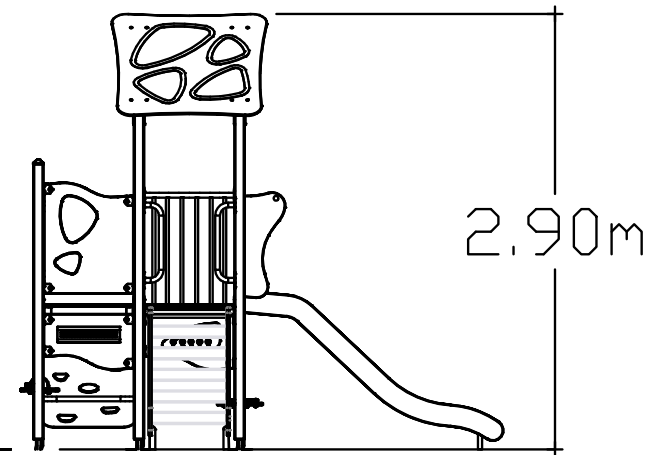
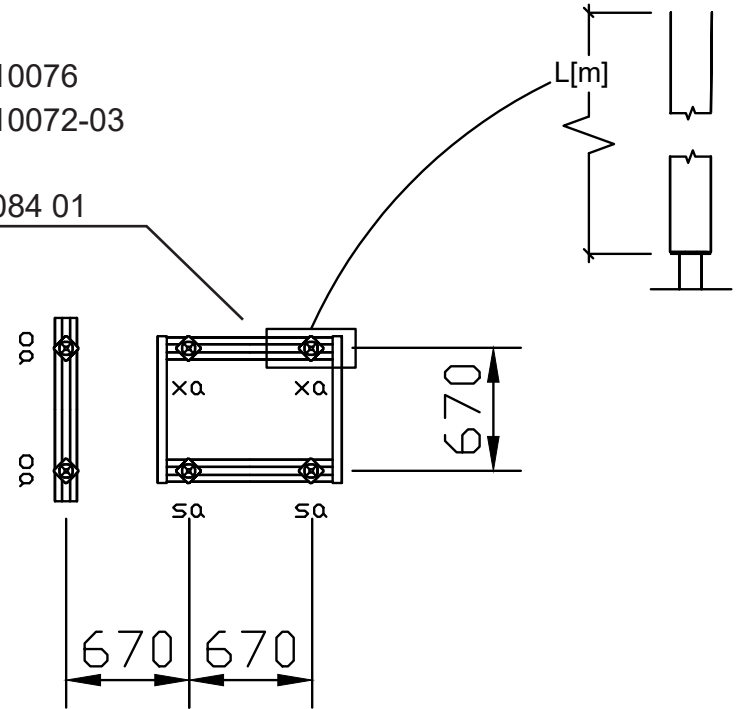


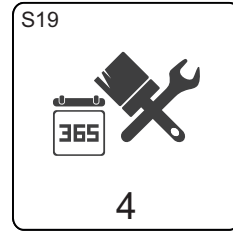
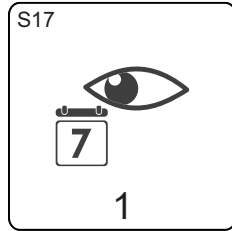
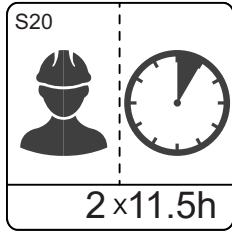
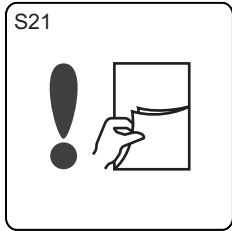


610076

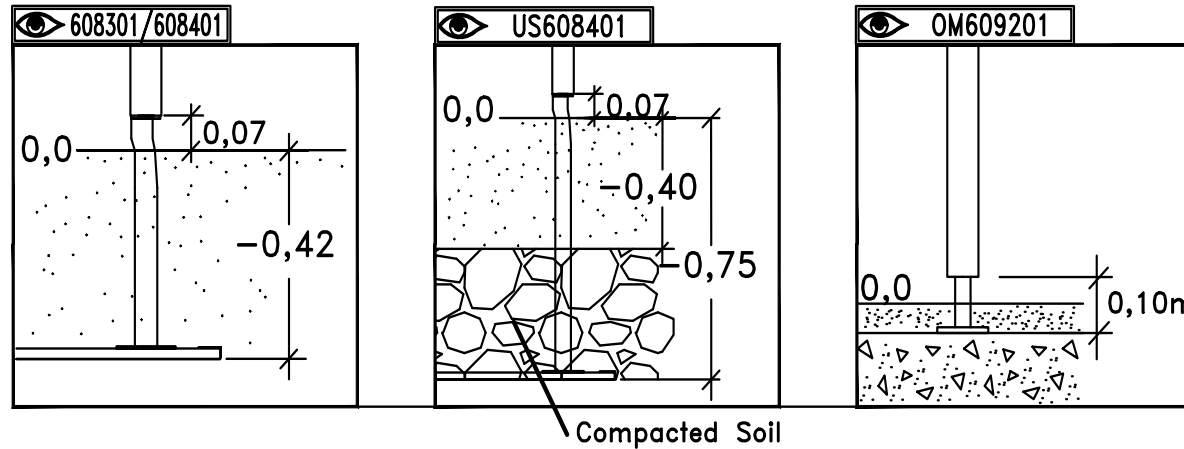
610072-03

6084 01





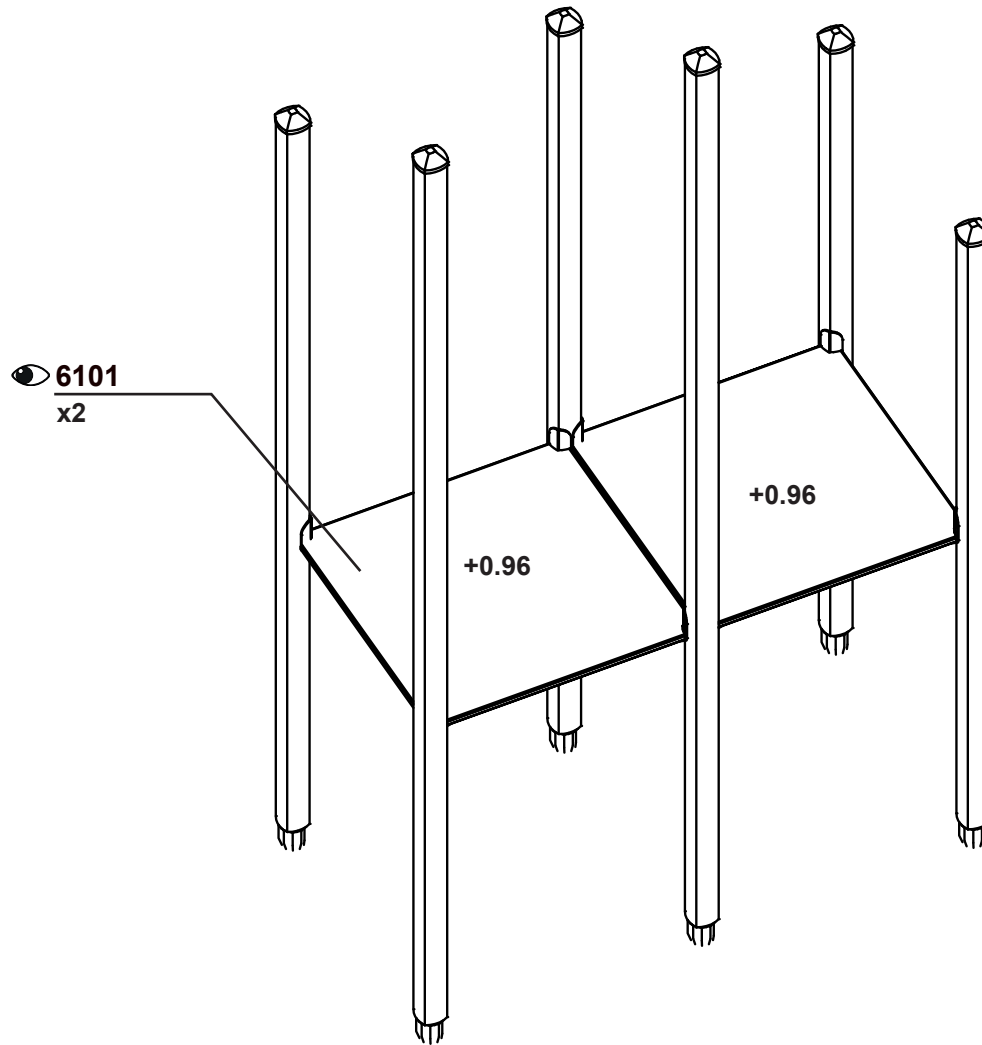
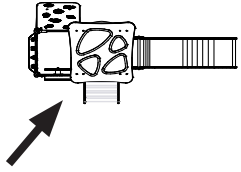
610076
610072-03
6084 01
6101
6342
MASW89852
MASW78431
670106
MASW97030
MASW94859
6942
MASW97300
MASW97096
6952
MASW90339
260329
6099

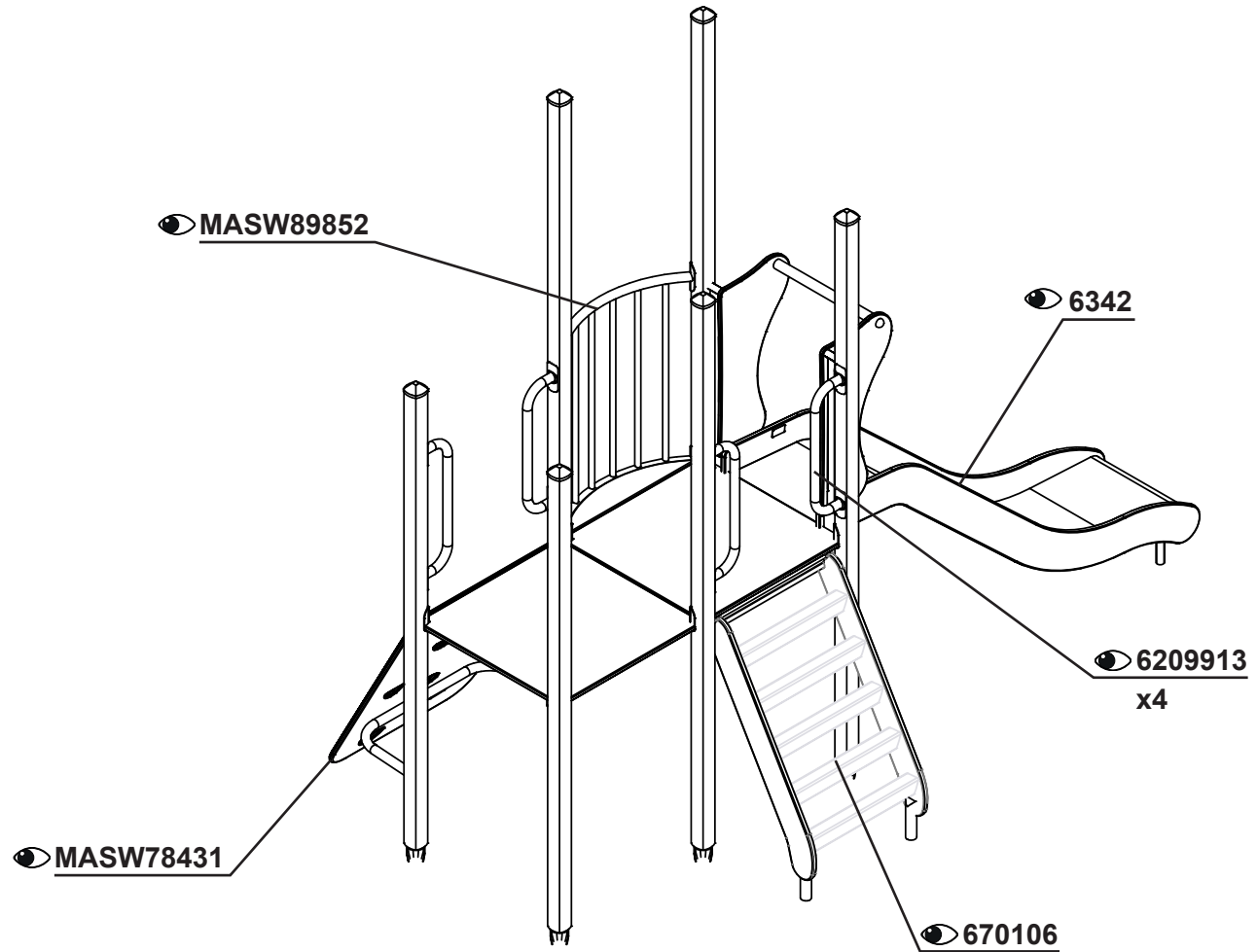
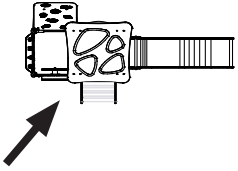


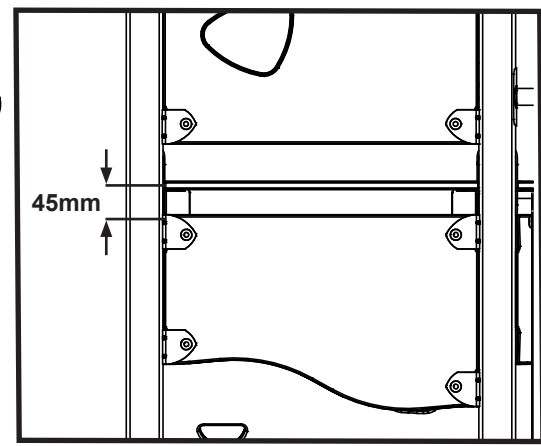
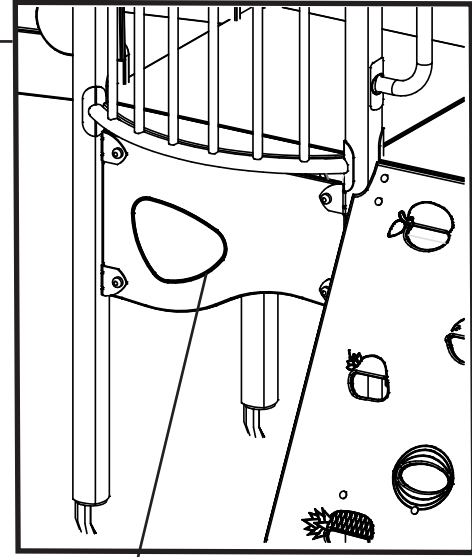
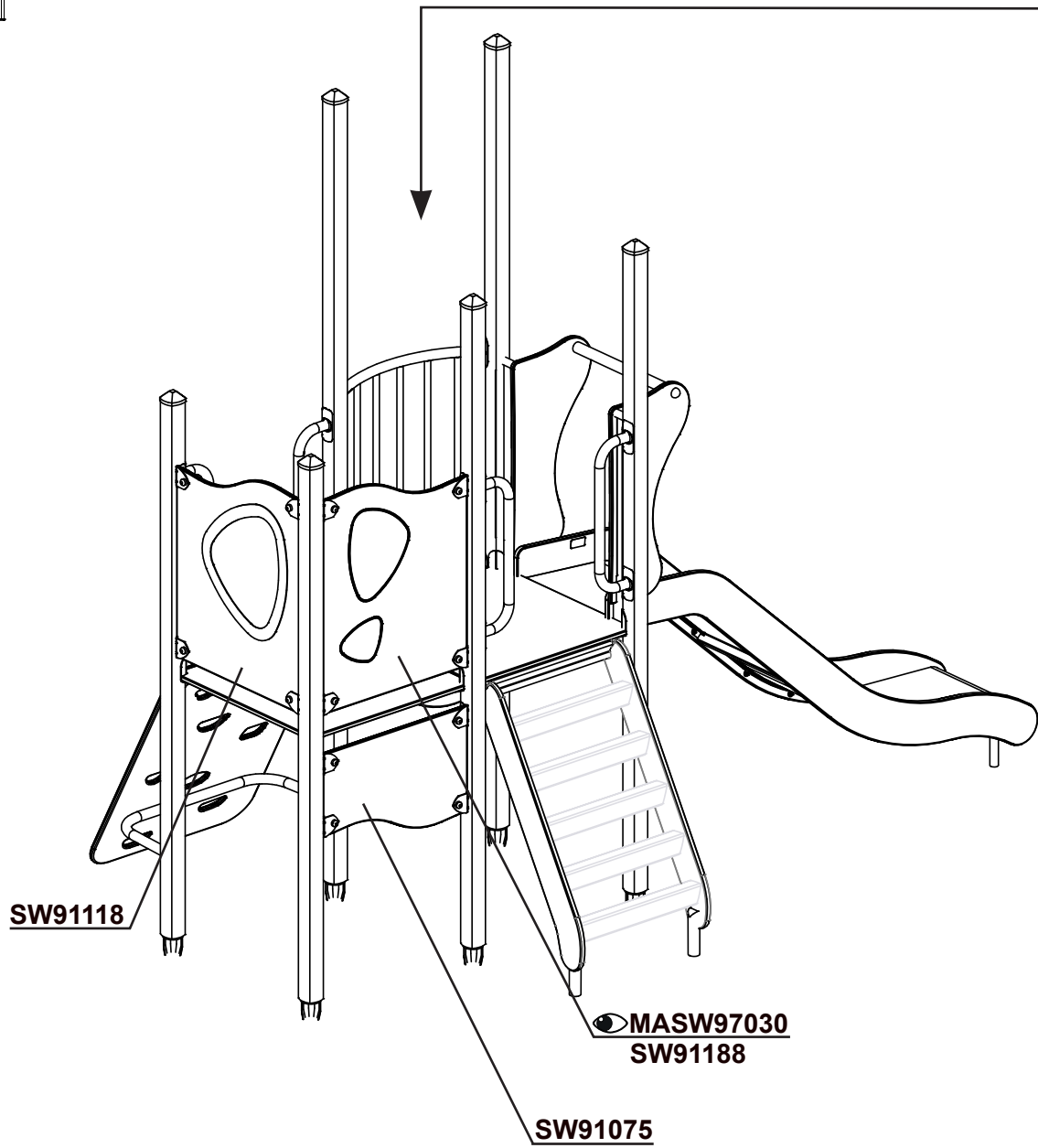
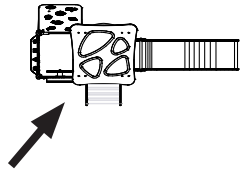
SF
Sunken Foundation
8104298

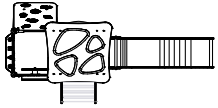
BM
Loosefill

OM
Above Ground
8104299

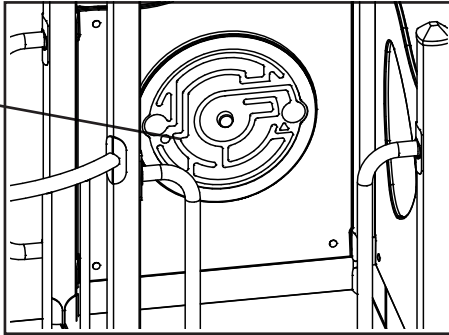








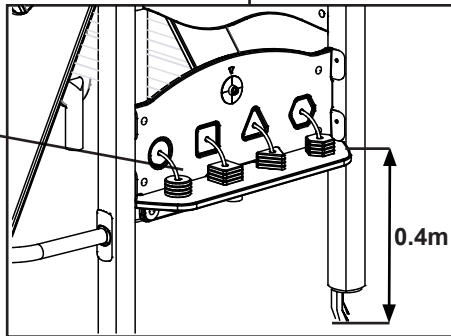
MASW94859



6942

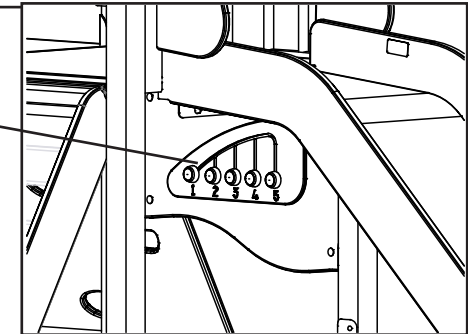
MASW97300

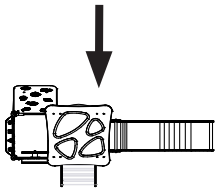
MASW97046



0.4m

6952





MASW90339
SW90339

6099 x 2

HAGS
260329

