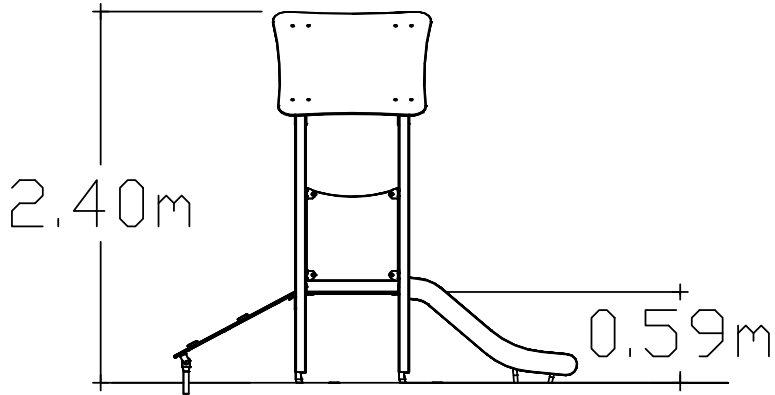
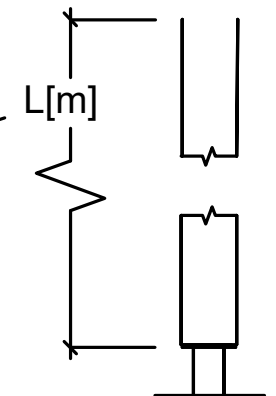
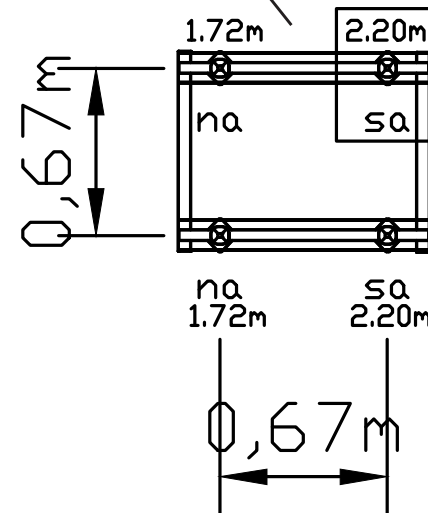
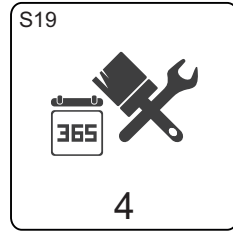
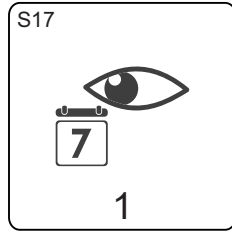
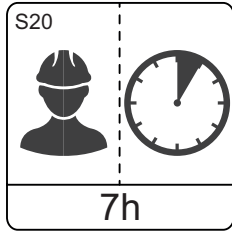
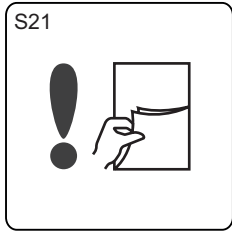
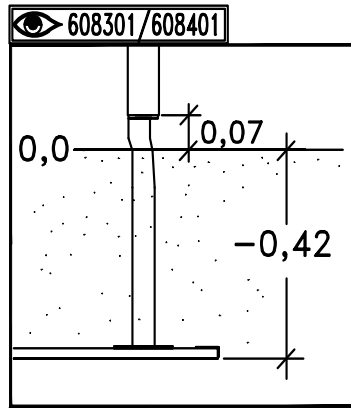


6084 01



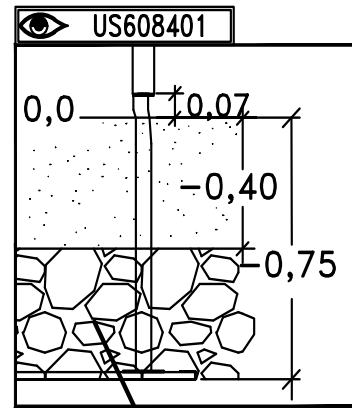


260329
6101
6340
612110
6084 01
6213 01
MASW90339
OM609201
SW88969



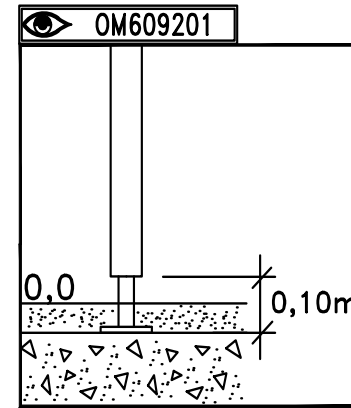
SF
Sunken Foundation

8105453
 8105452
 80 _____
 80 _____



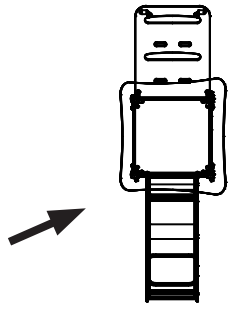
BM
Loosefill

80 _____
 80 _____
 80 _____
 80 _____

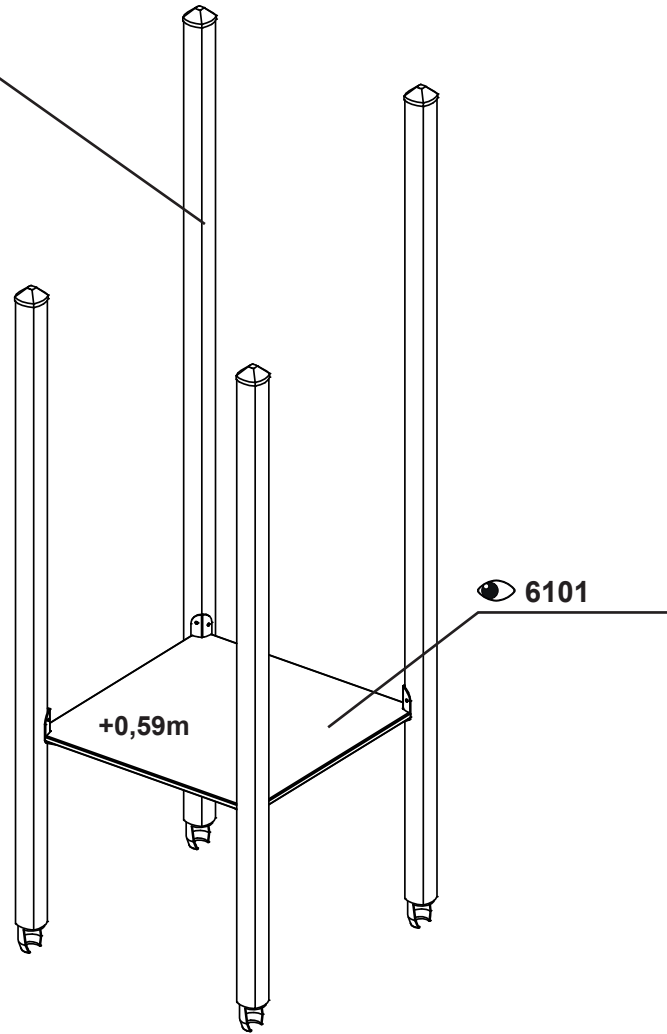


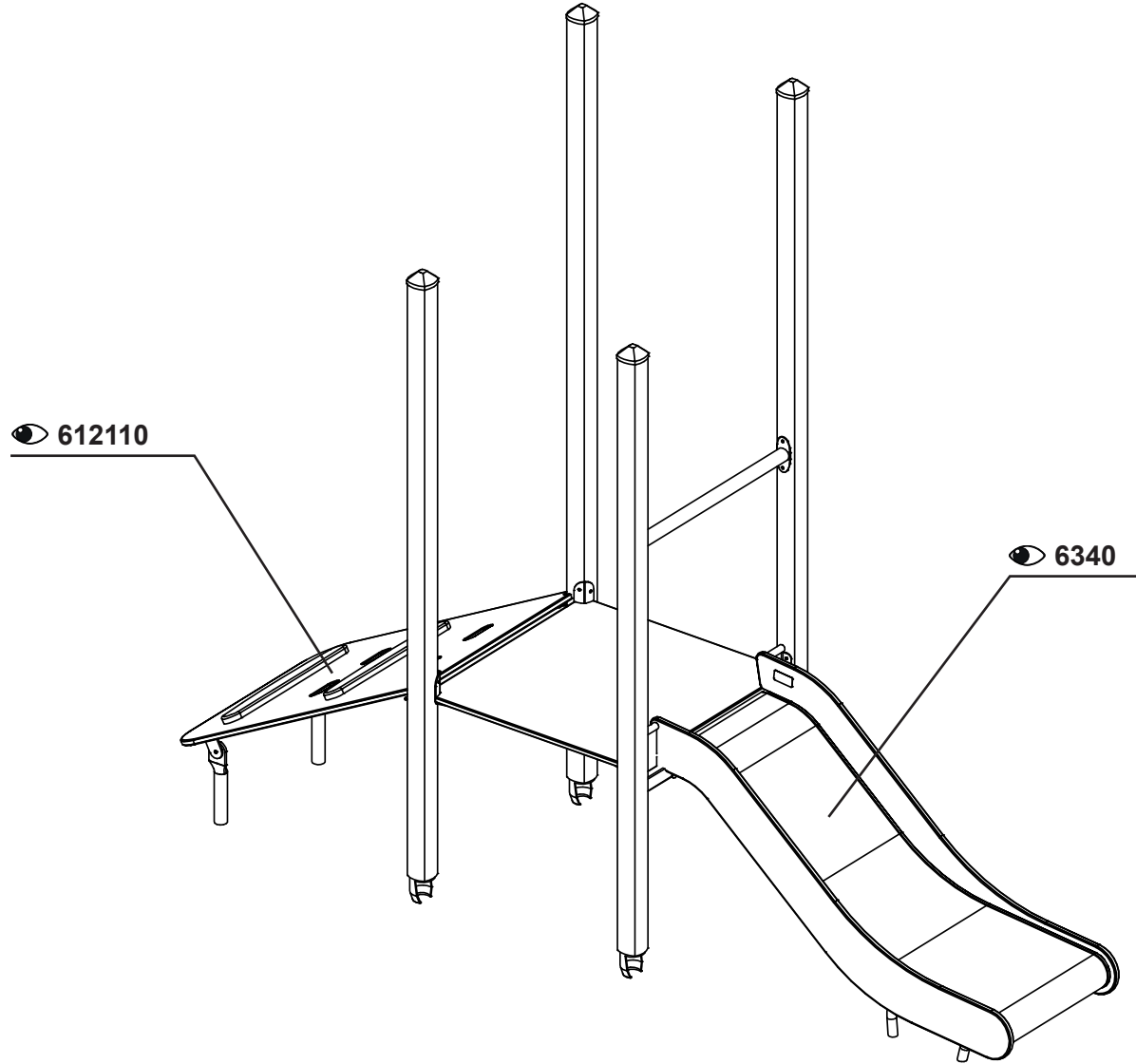
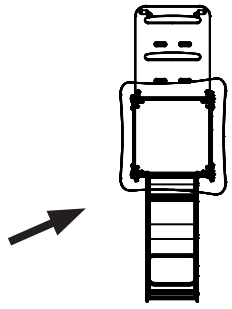
OM
Above Ground

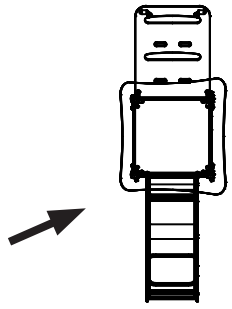
8105445
 80 _____
 80 _____
 80 _____



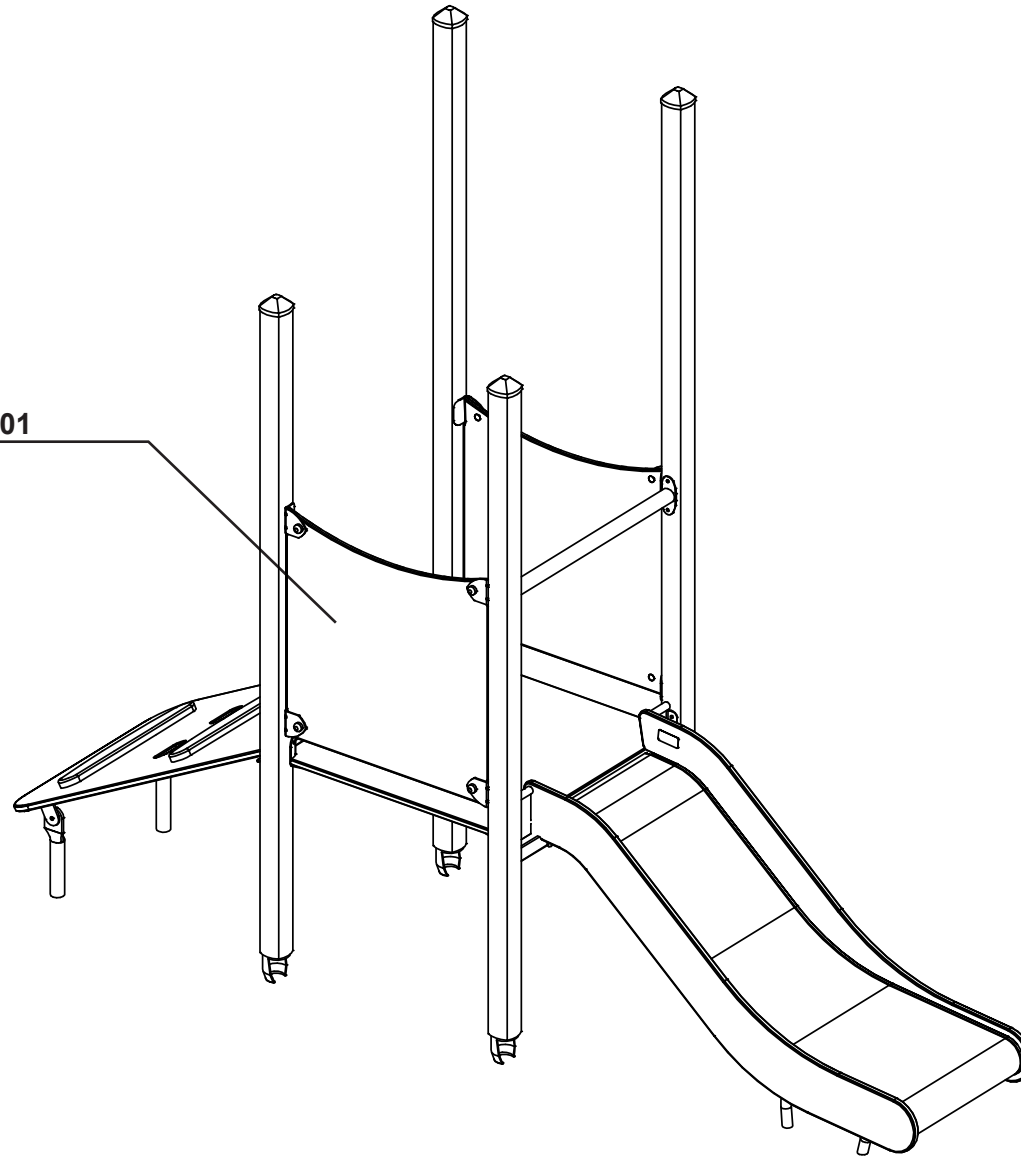
6084 01
x4

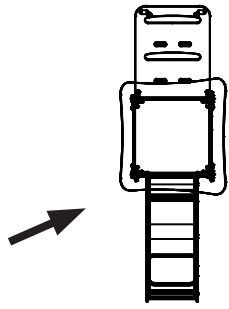




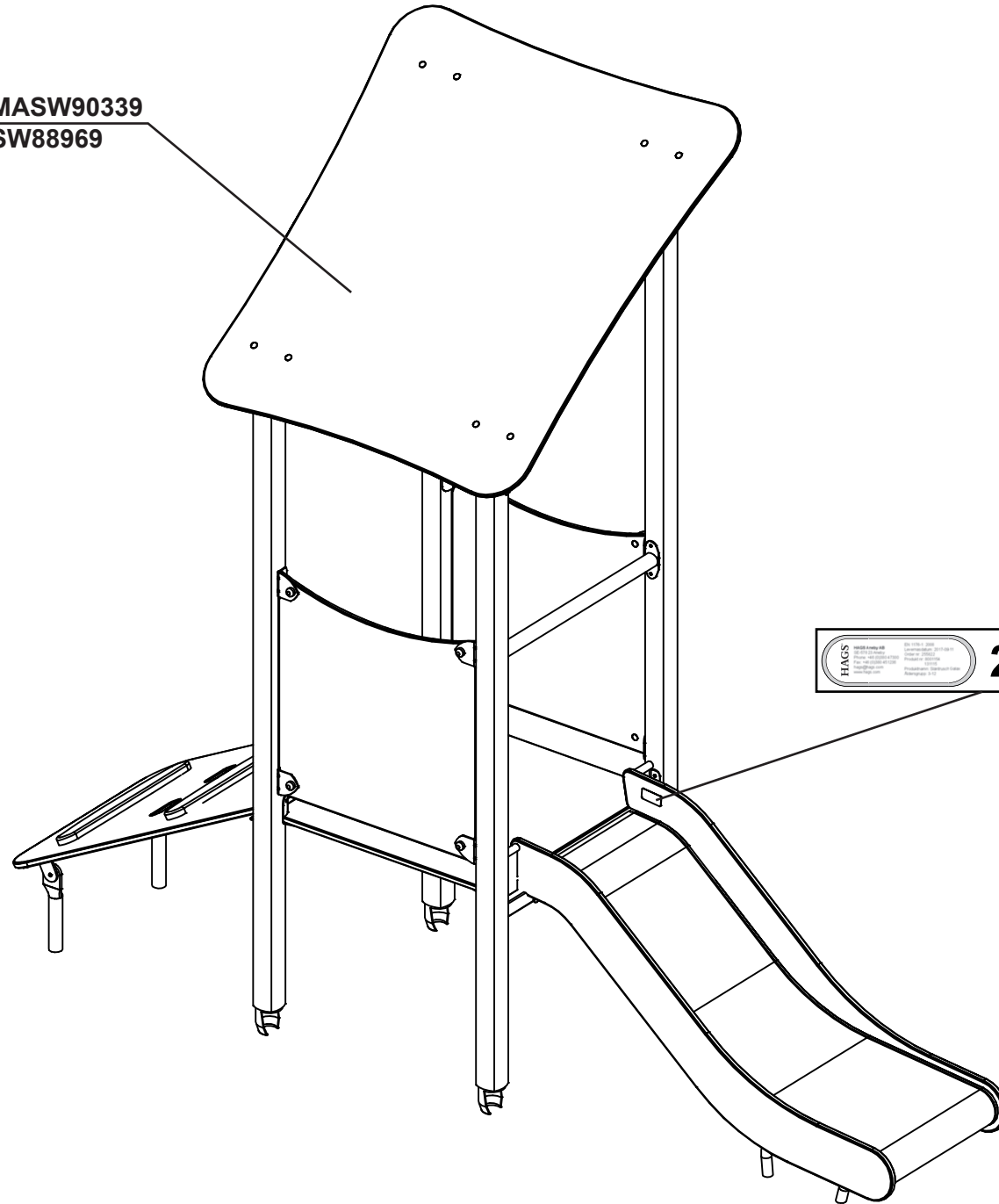


6213 01
x2





● MASW90339
SW88969



HAGS
260329