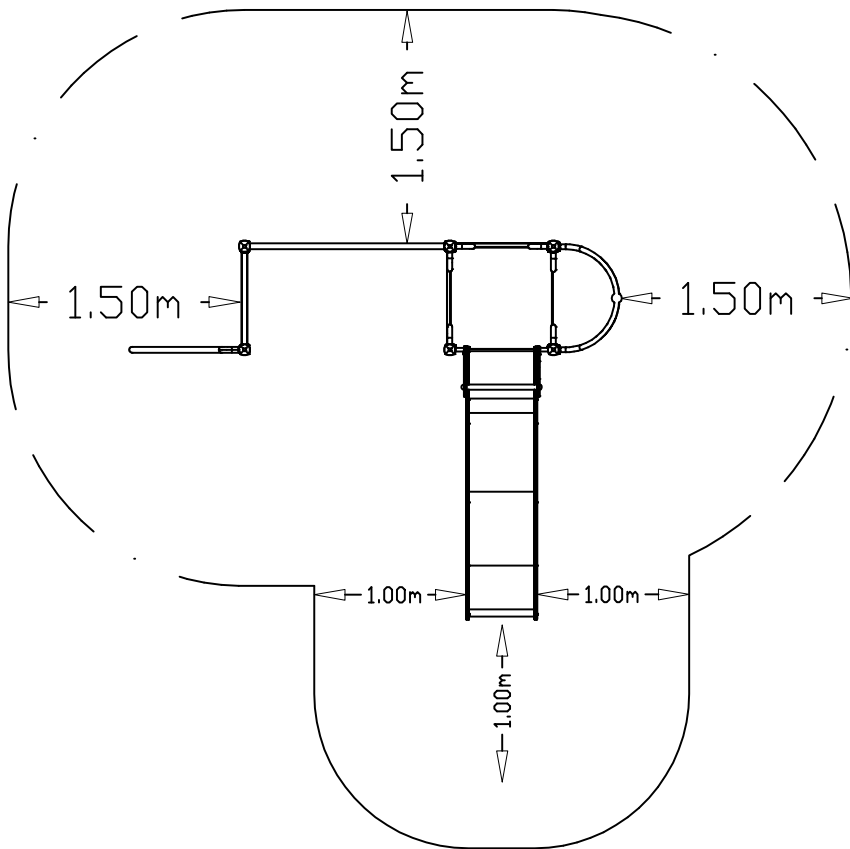
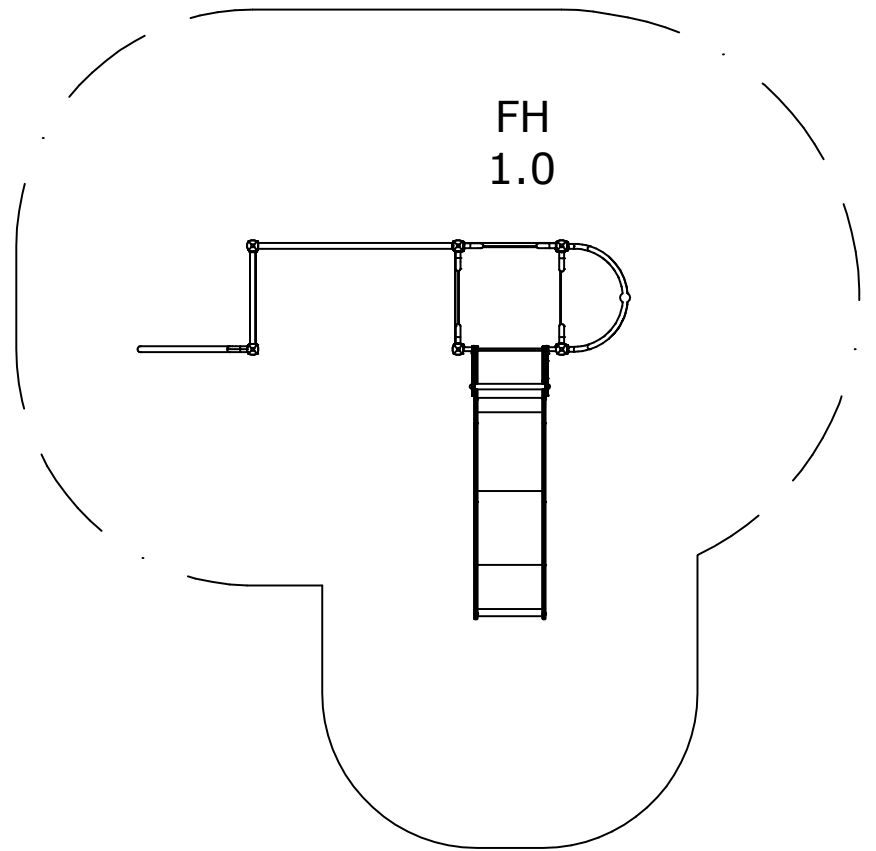


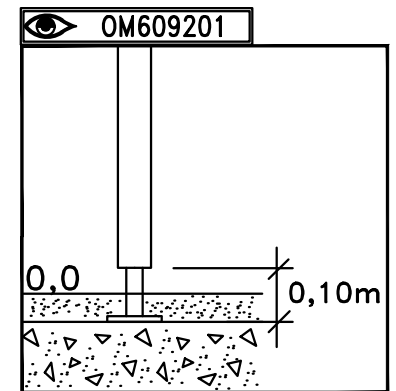
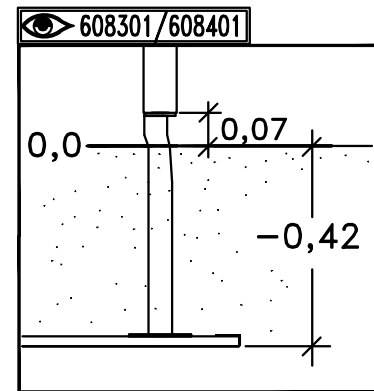
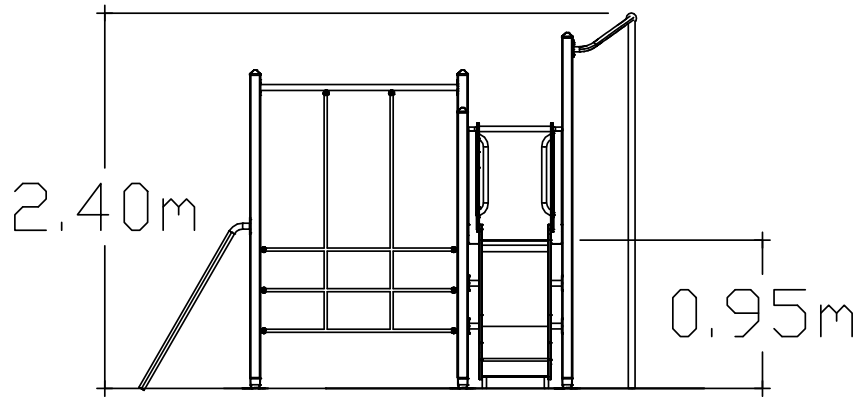
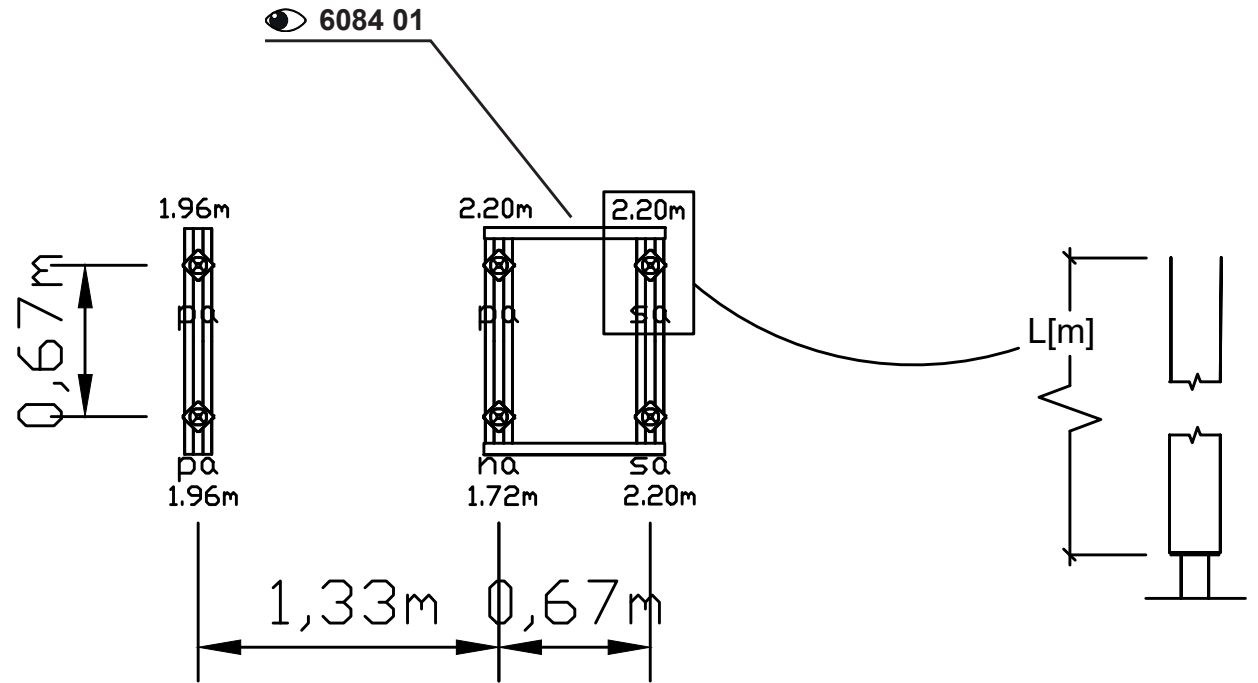
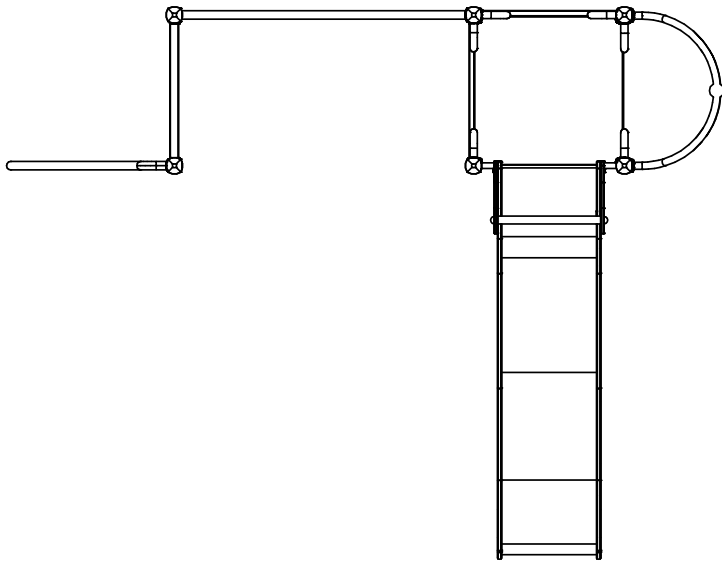
5.45m

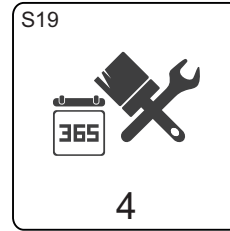
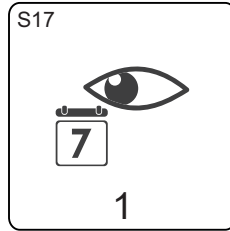
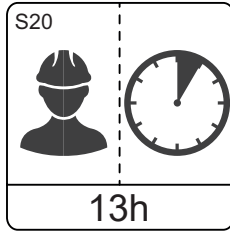
3.20m



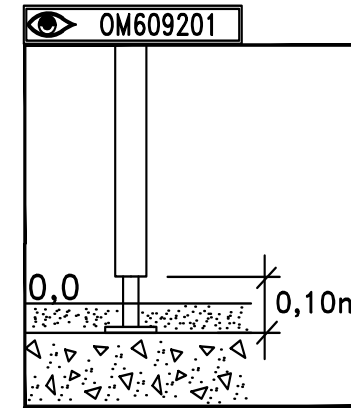
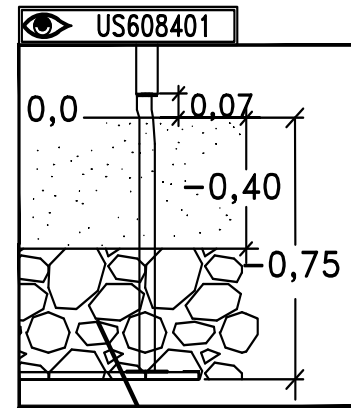
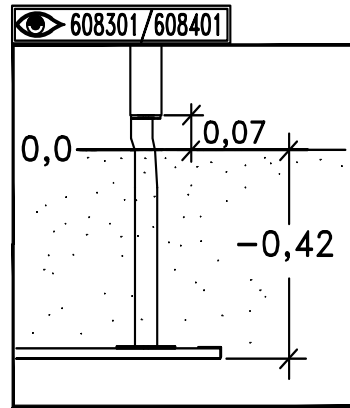
2.45m  
5.45m







**6101**  
**6342**  
**MASW26667**  
**MASW78855**  
**260329**  
**608401**  
**638113**  
**62099113**  
**62077021**  
**OM609201**



**SF**  
**Sunken Foundation**

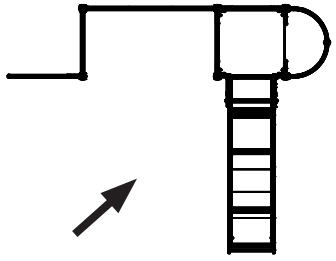
8077958  
 8105607  
 80 \_\_\_\_\_  
 80 \_\_\_\_\_

**BM**  
**Loosefill**

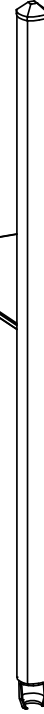
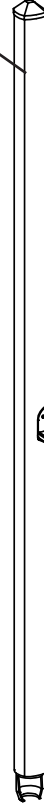
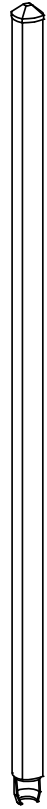
80 \_\_\_\_\_  
 80 \_\_\_\_\_  
 80 \_\_\_\_\_  
 80 \_\_\_\_\_

**OM**  
**Above Ground**

8105606  
 80 \_\_\_\_\_  
 80 \_\_\_\_\_  
 80 \_\_\_\_\_

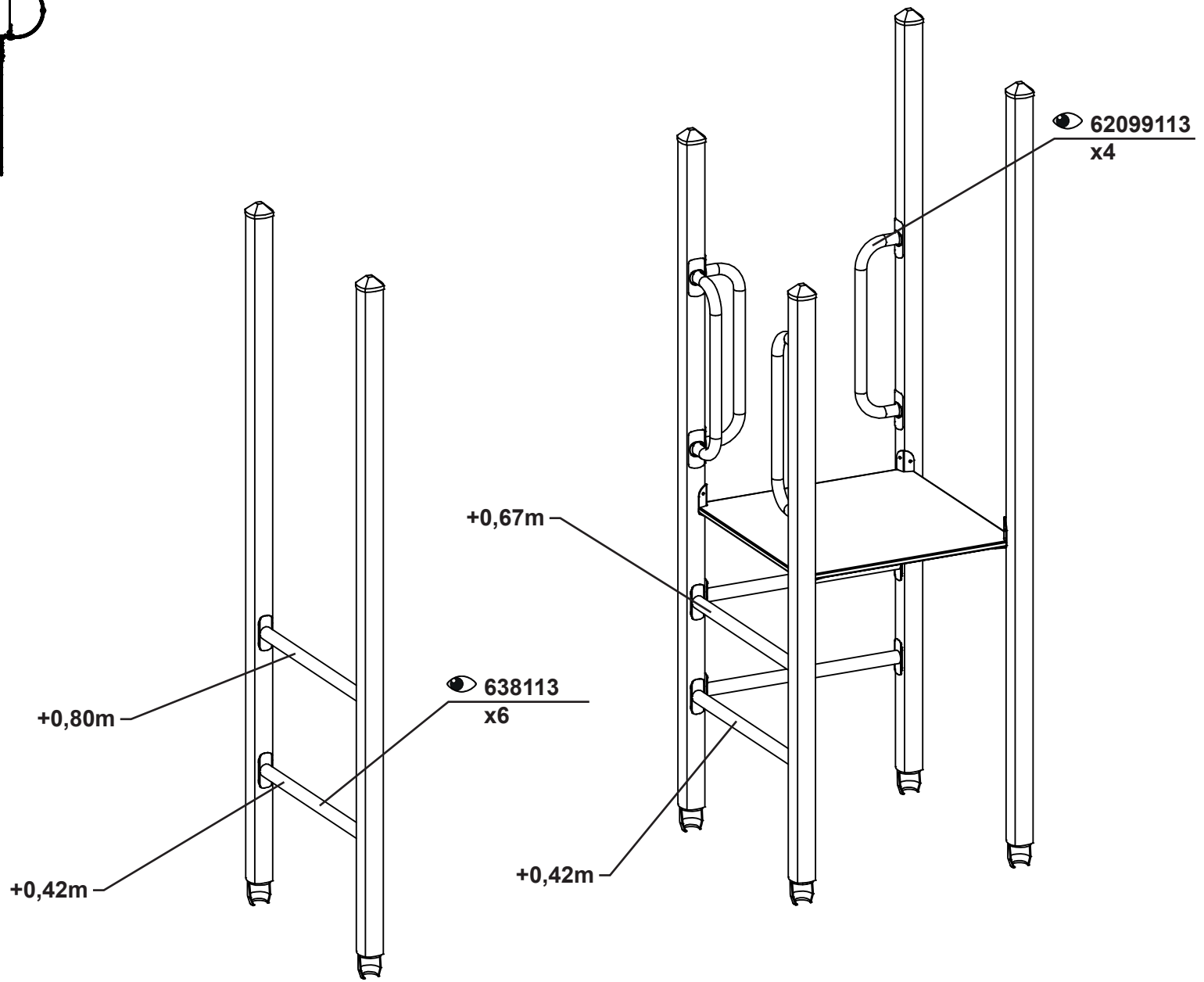
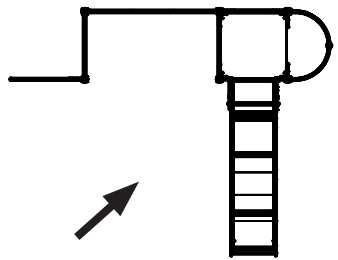


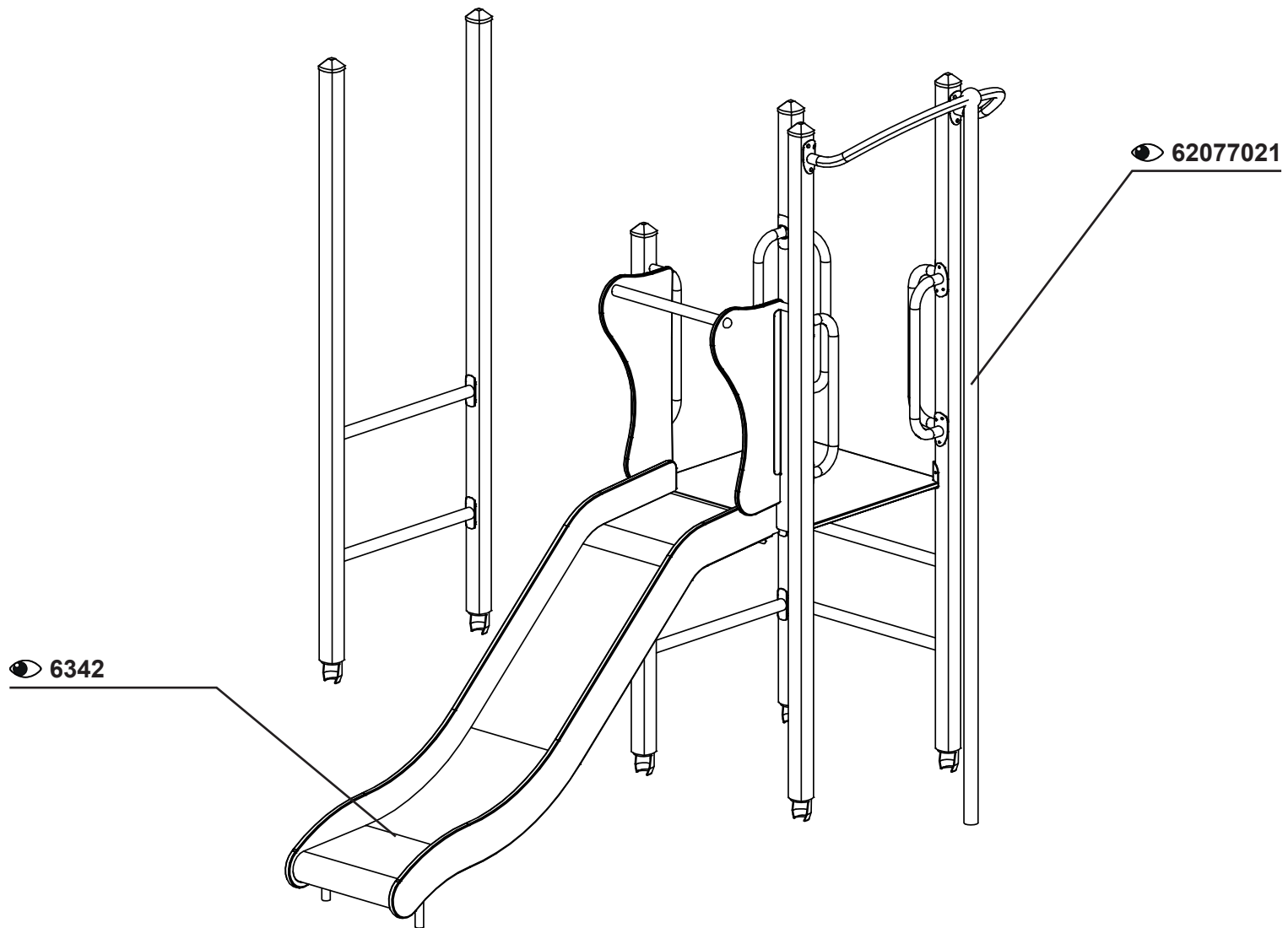
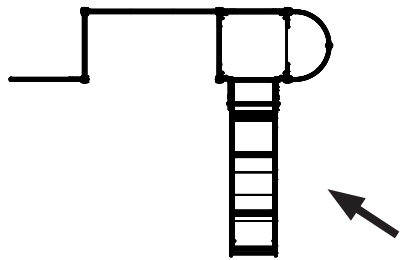
6084 01  
x6

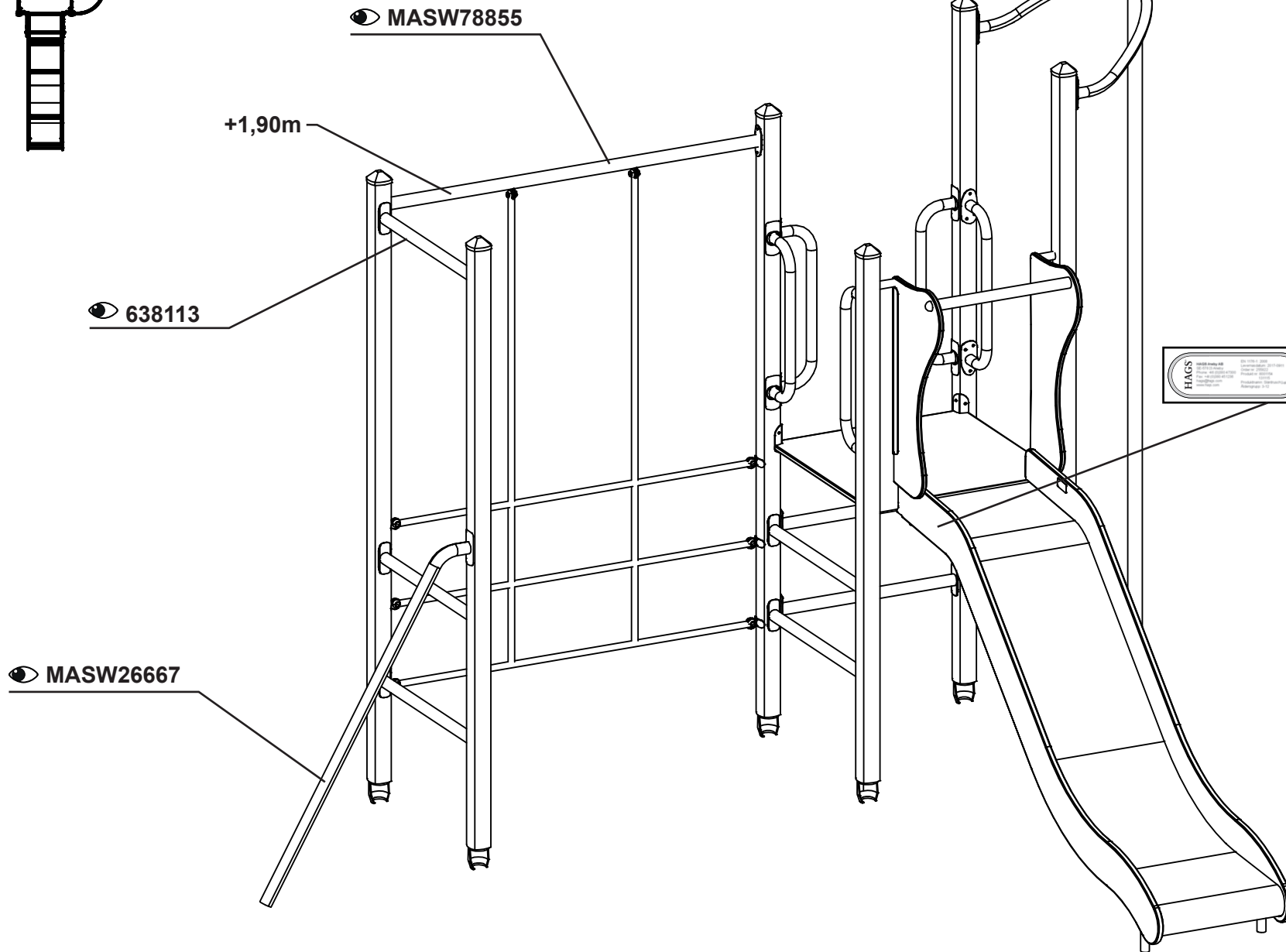
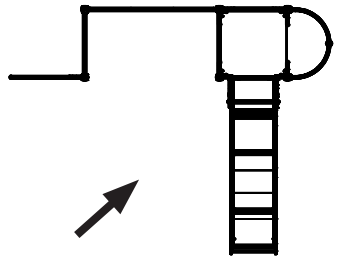


6101

+0,95m







HAGS	260329
------	--------