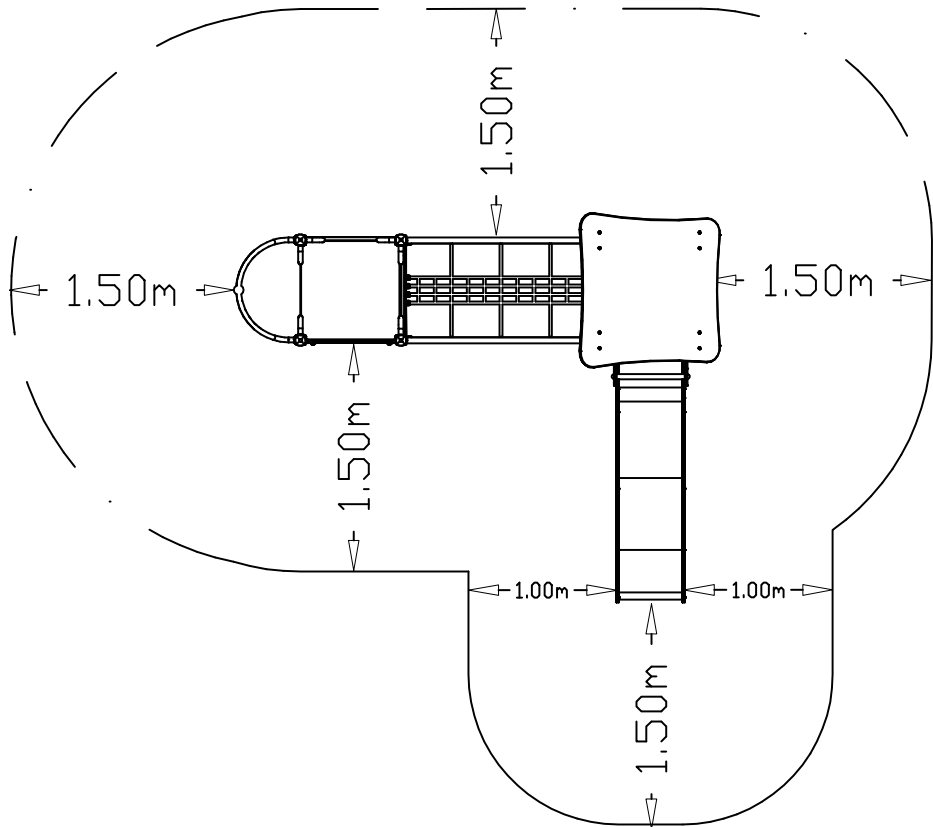
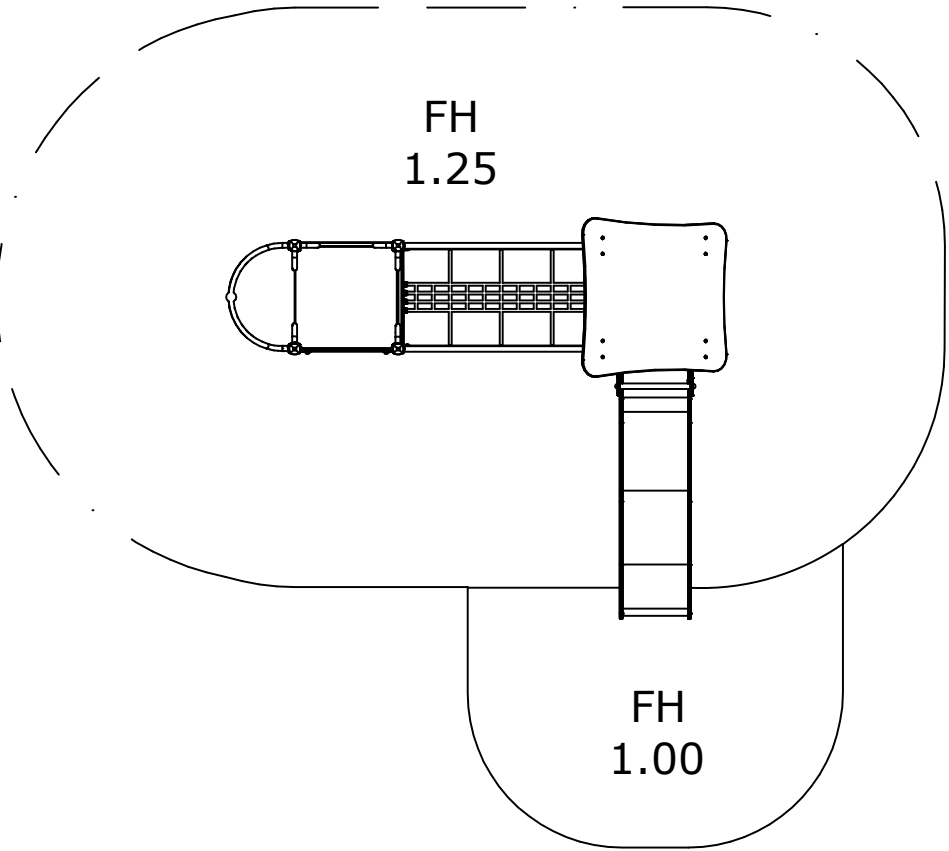


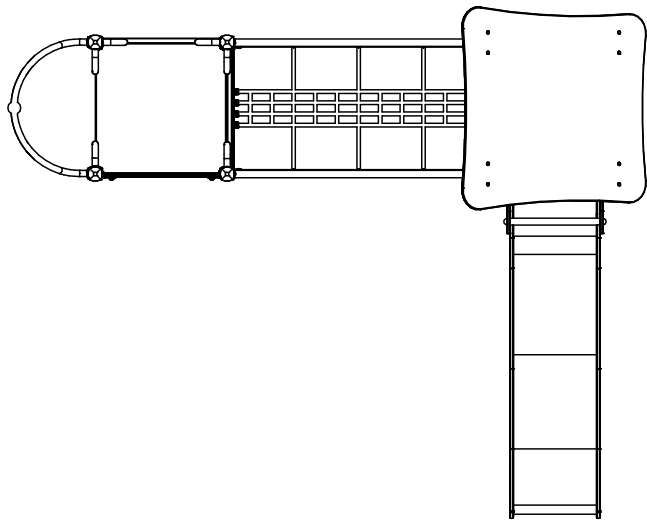
6.15m

3.25m

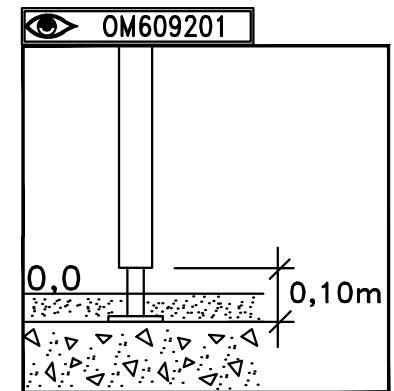
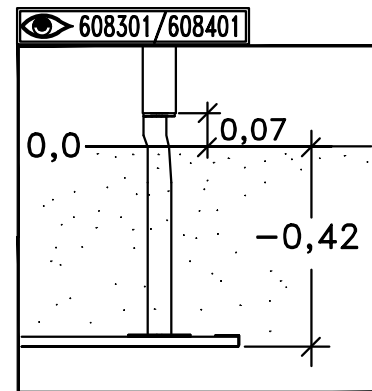
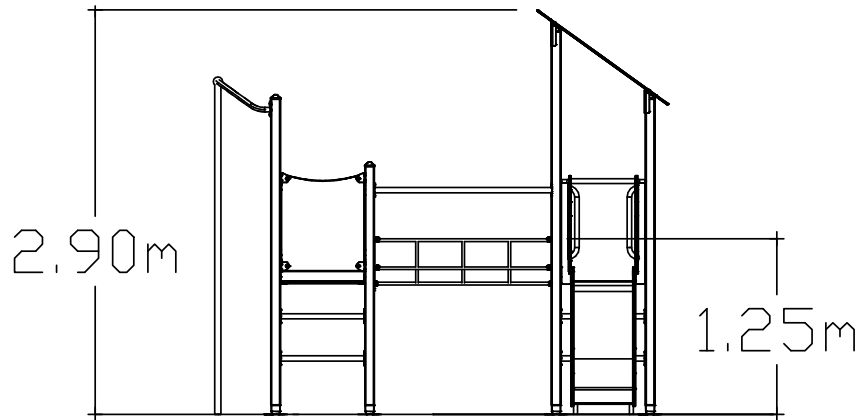
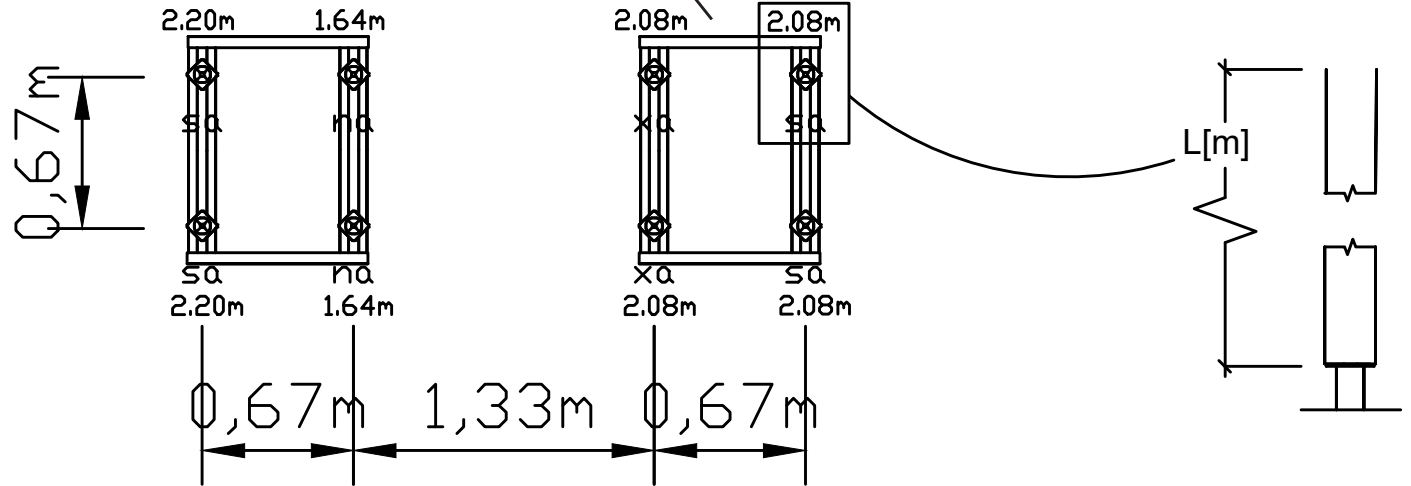


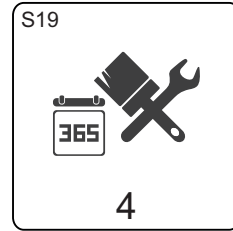
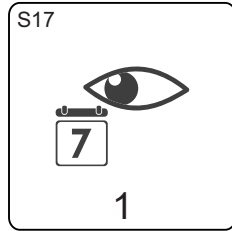
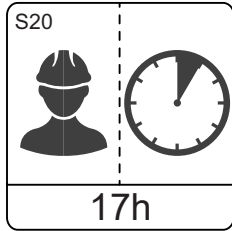
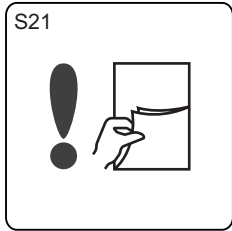
2.65m
5.45m



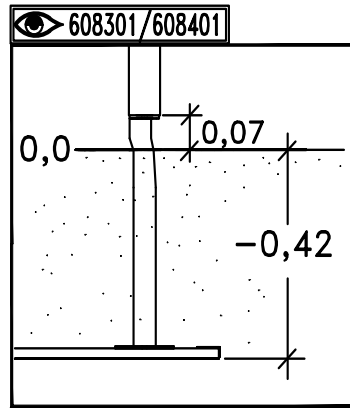


6084 01



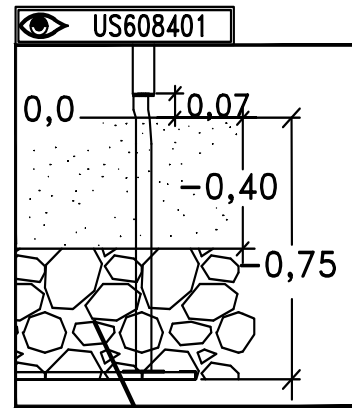


260329
621301
638113
62099113
608401
OM609201
62077021 [SF]
62277021 [OM]
6342 [SF]
6101
MASW78749
MASW90339
OM6342 [OM]
SW88969



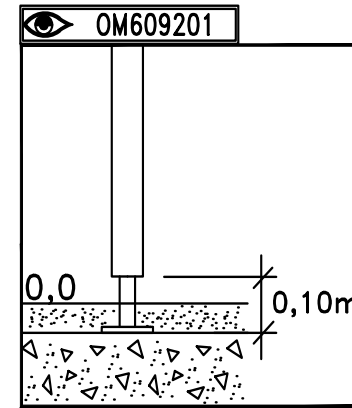
SF
Sunken Foundation

8077962
 8105648
 80 _____
 80 _____



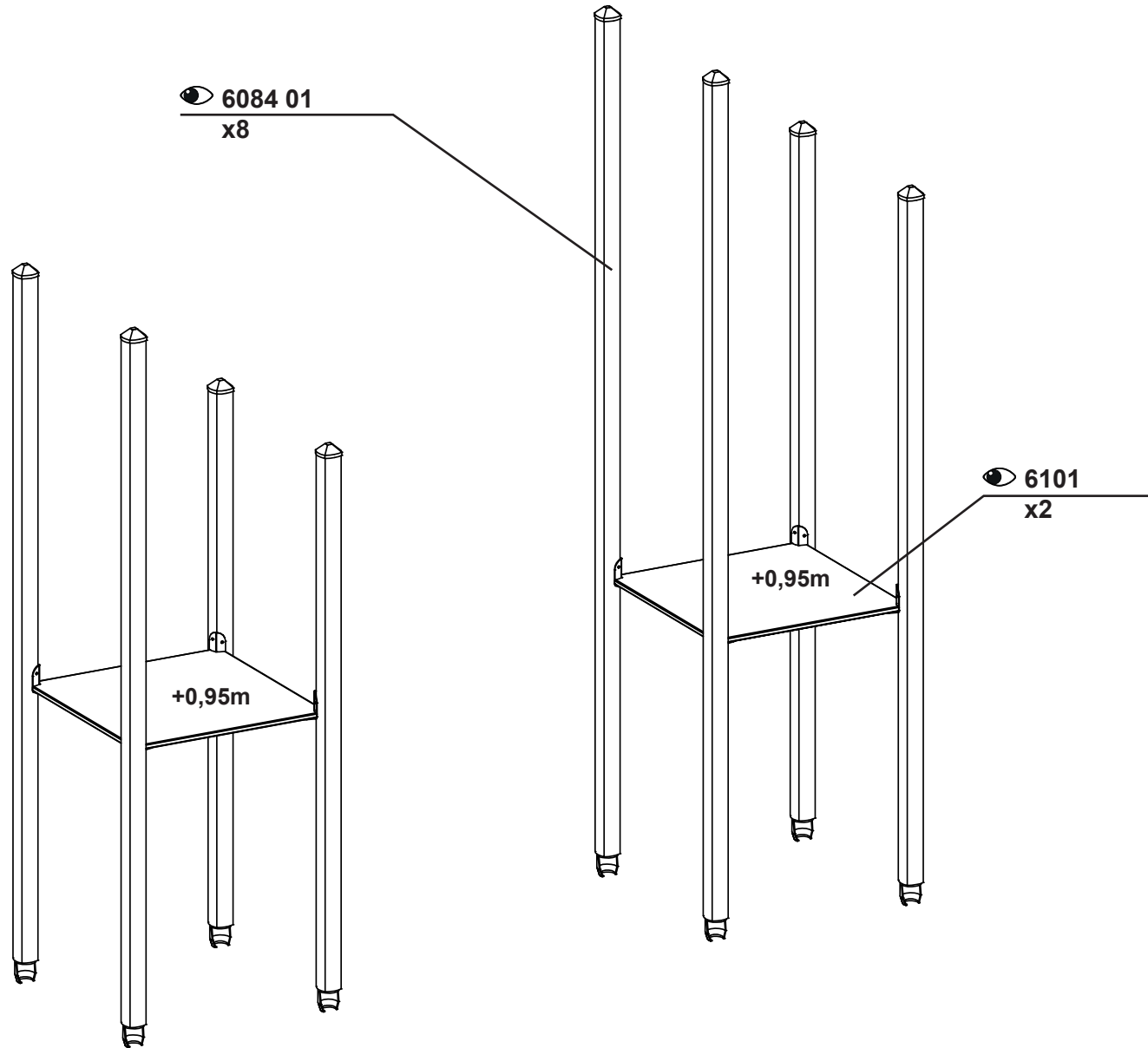
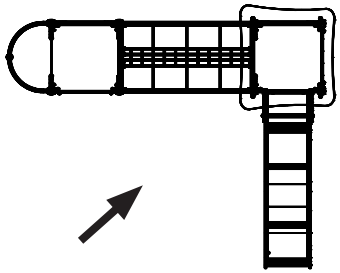
BM
Loosefill

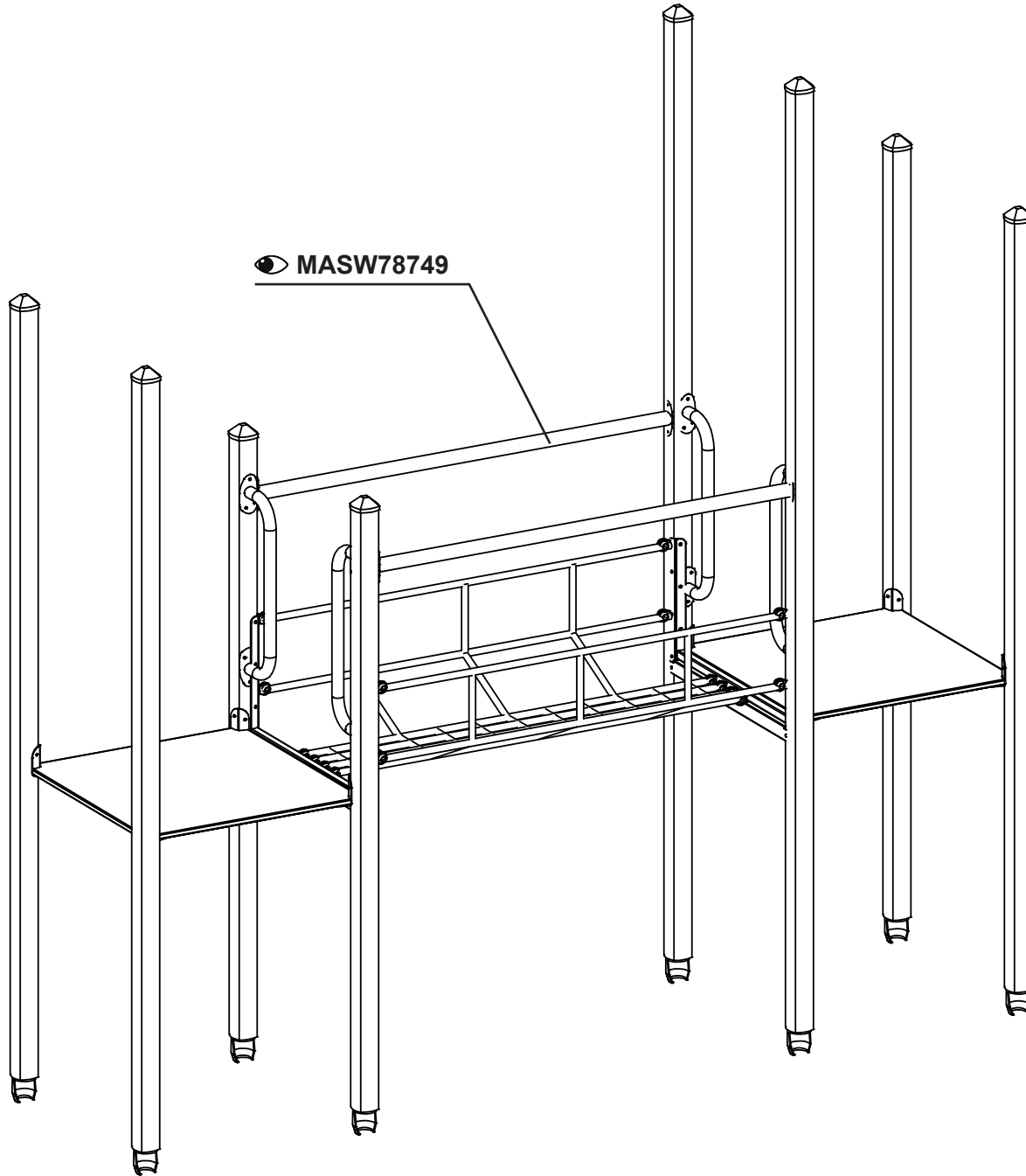
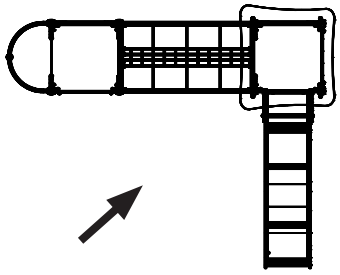
80 _____
 80 _____
 80 _____
 80 _____

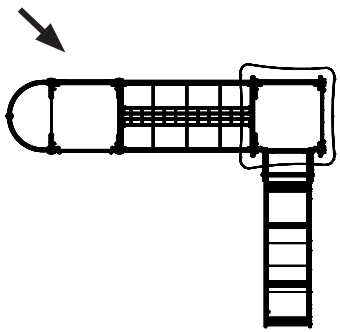


OM
Above Ground

8105647
 80 _____
 80 _____
 80 _____







62099113
x4

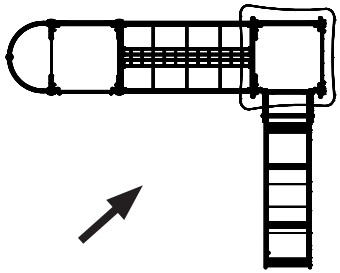
+0,70m

+0,42m

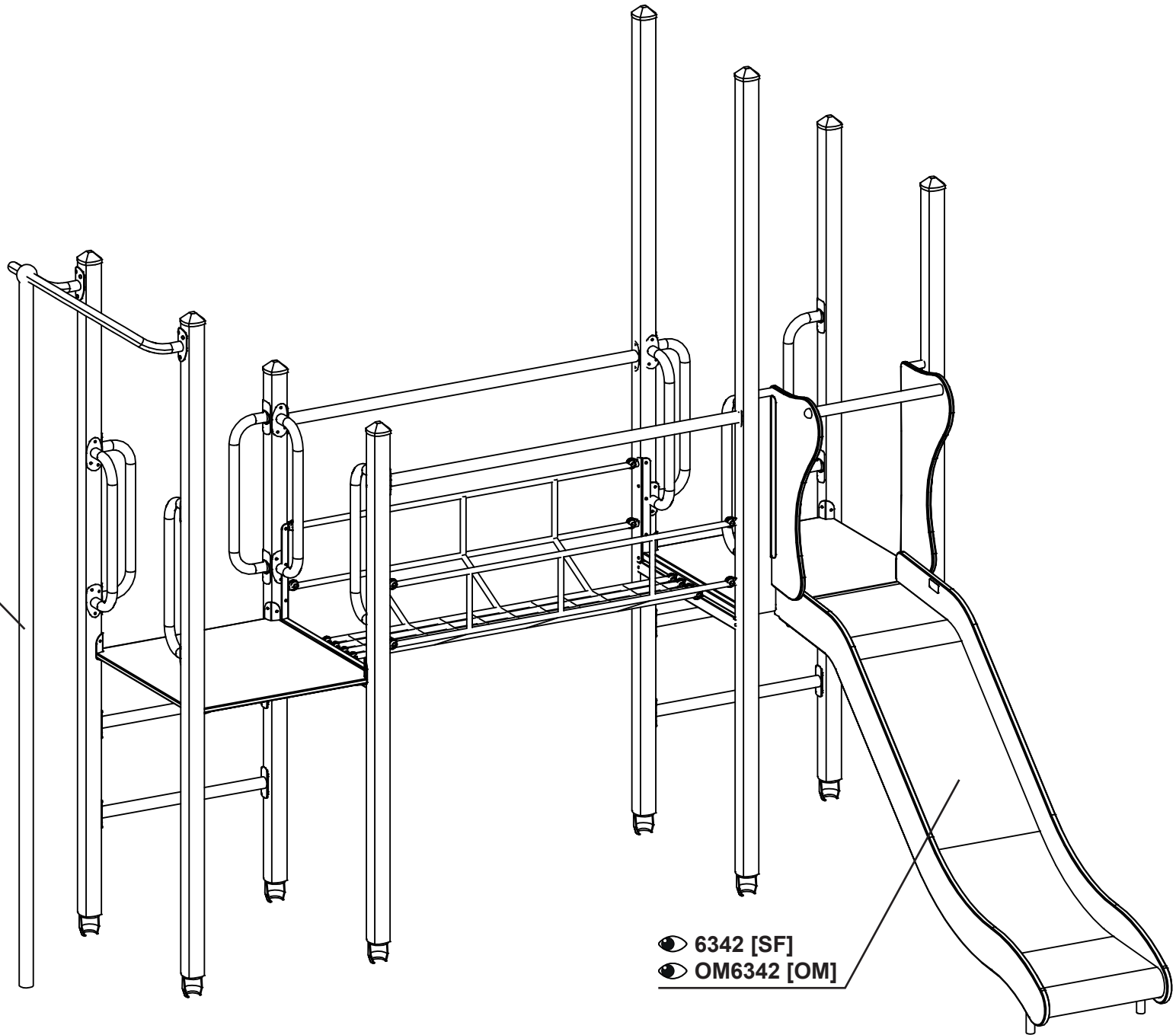
638113

+0,70m

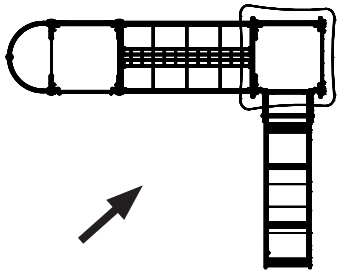
+0,42m



● 62077021 [SF]
● 62277021 [OM]

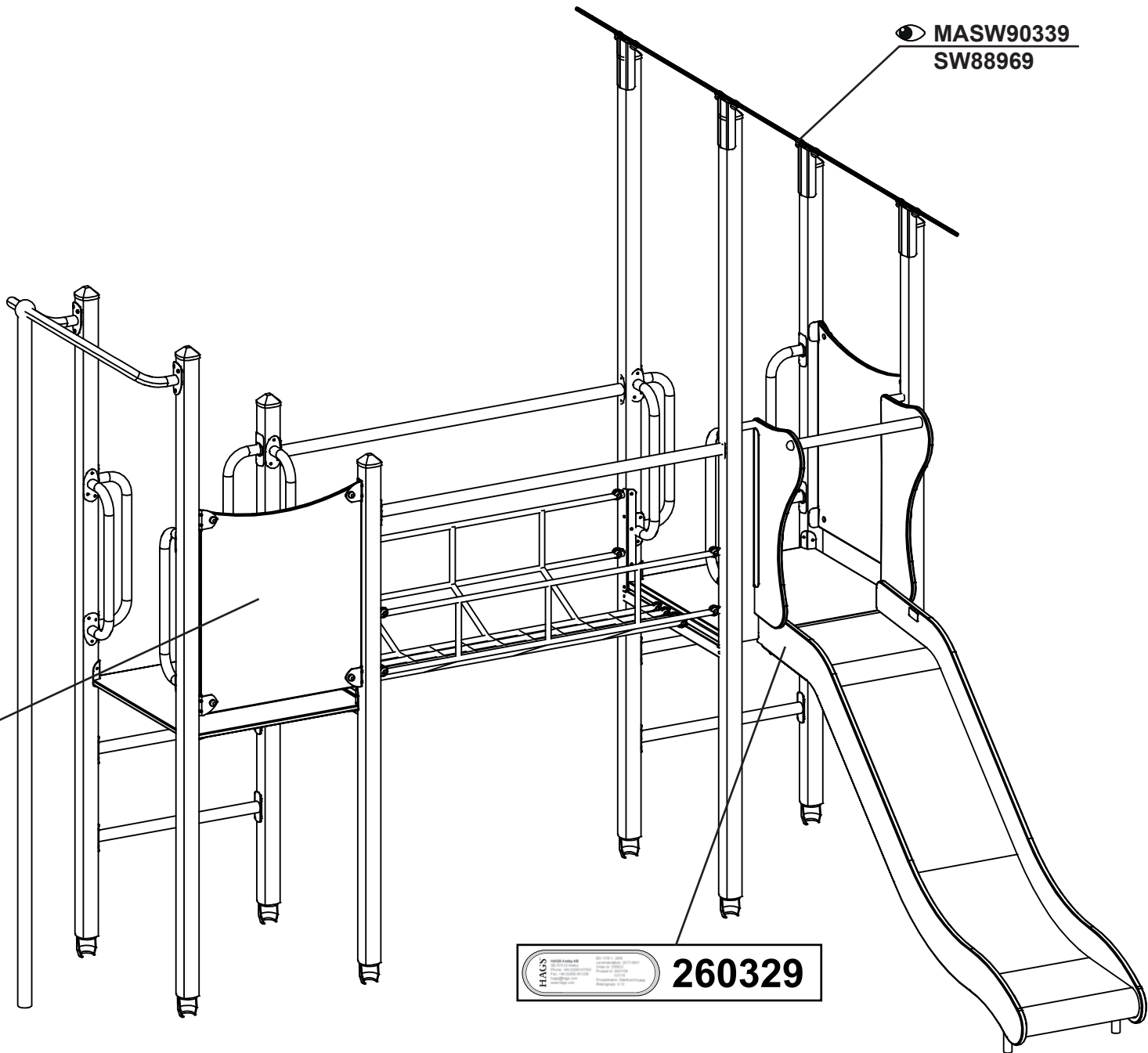


● 6342 [SF]
● OM6342 [OM]



MASW90339
SW88969

621301
x2



HAGS
260329