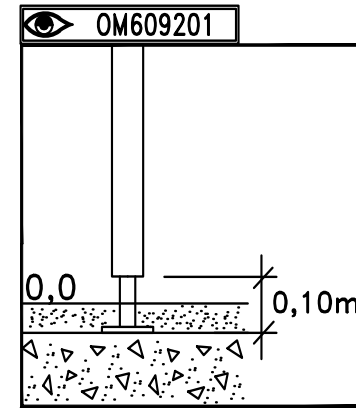
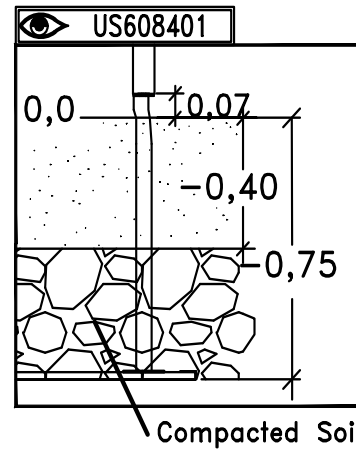
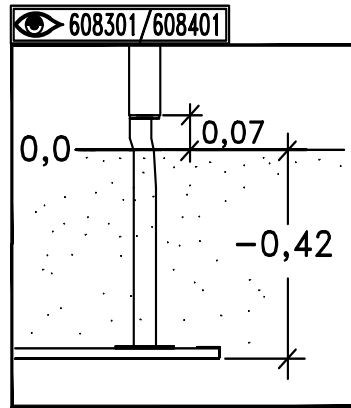


**260329**  
**610076**  
**621301**  
**638113**  
**676106**  
**608401**  
**OM609201**  
**6342 [SF]**  
**MA612313**  
**6101**  
**MASW78749**  
**MASW90339**  
**OM6342 [OM]**



**SF**  
**Sunken Foundation**

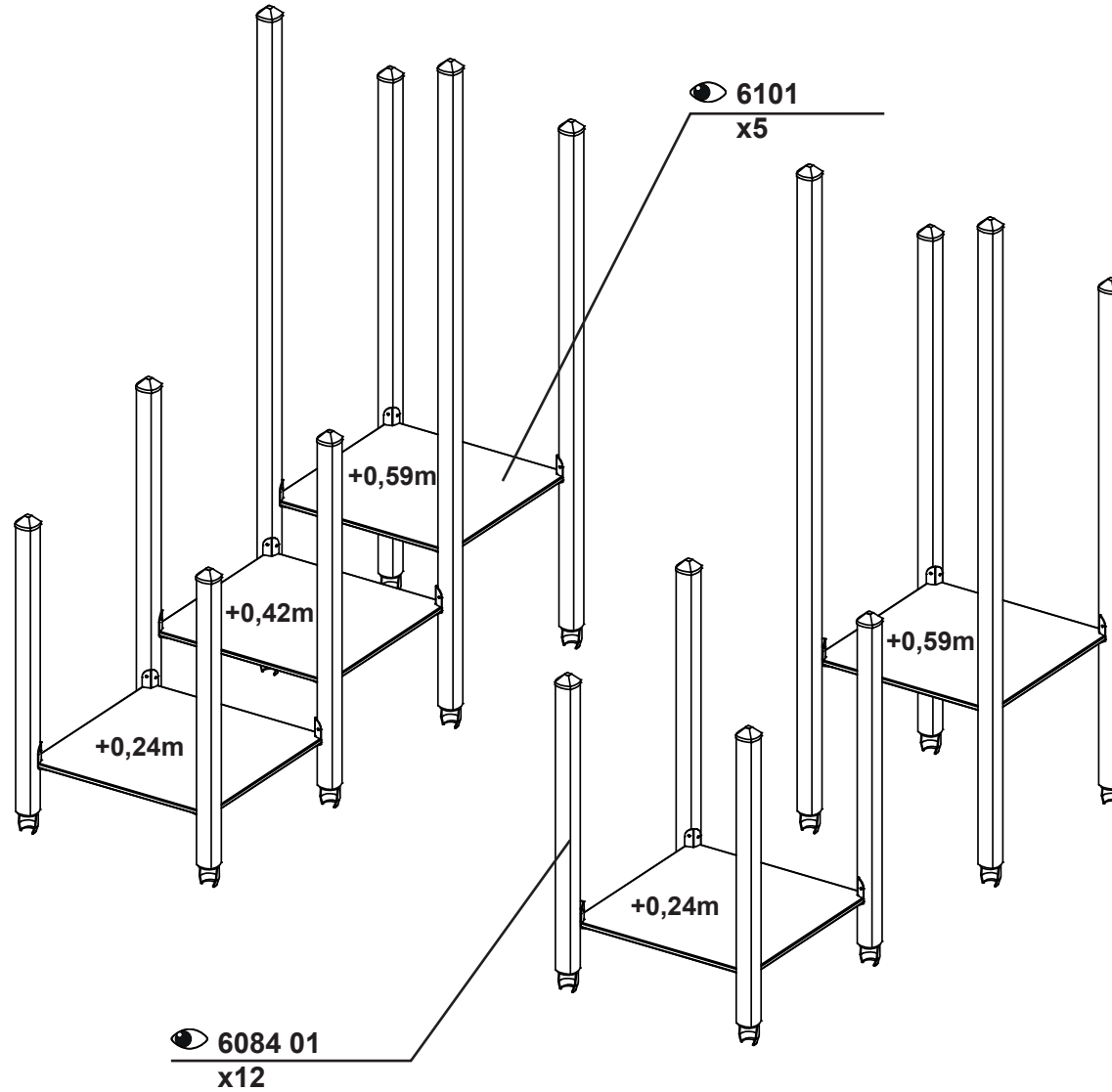
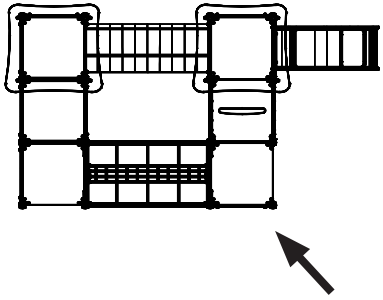
8077966  
 8105667  
 80 \_\_\_\_\_  
 80 \_\_\_\_\_

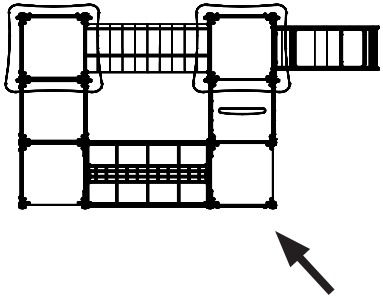
**BM**  
**Loosefill**

80 \_\_\_\_\_  
 80 \_\_\_\_\_  
 80 \_\_\_\_\_  
 80 \_\_\_\_\_

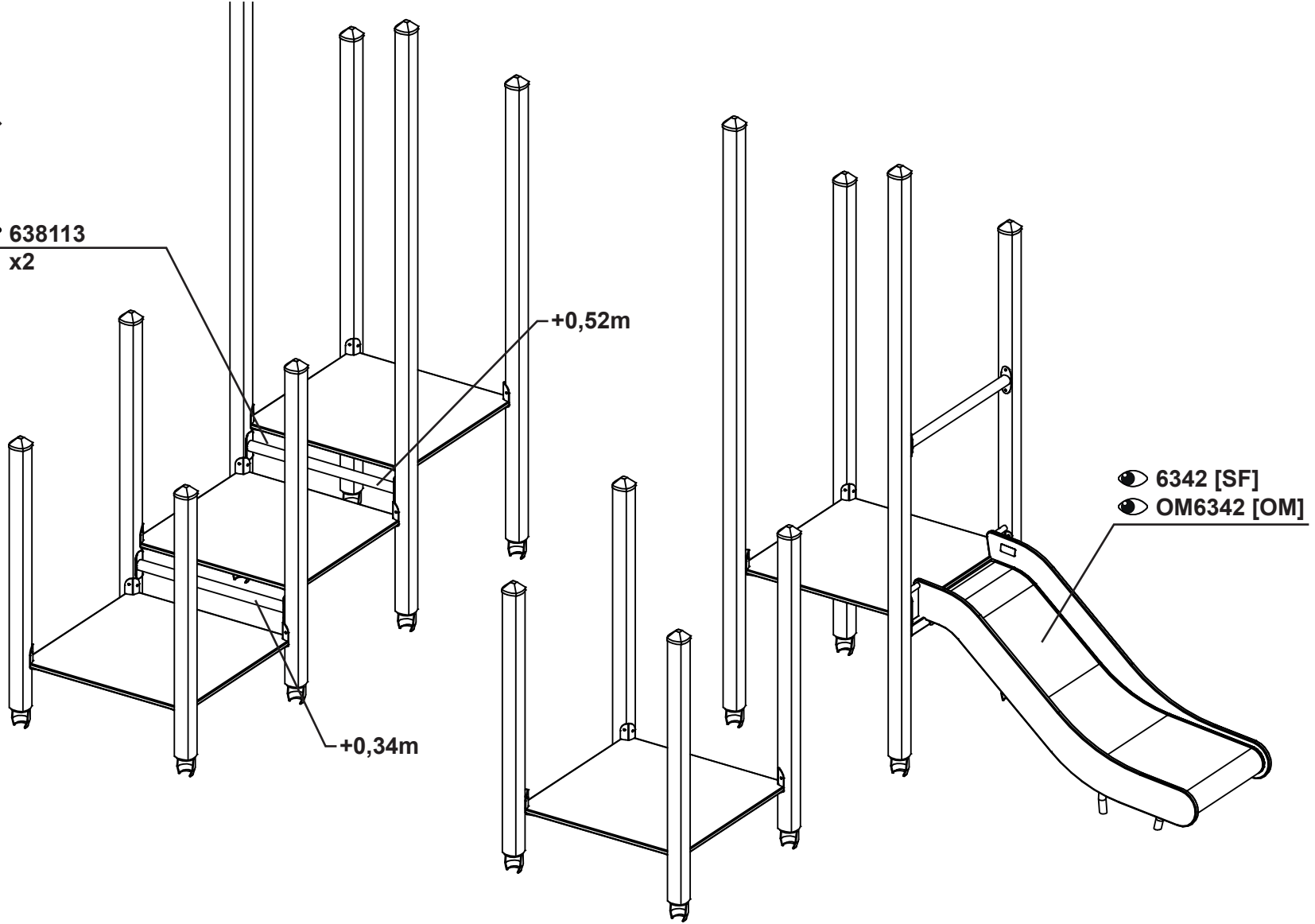
**OM**  
**Above Ground**

8105673  
 80 \_\_\_\_\_  
 80 \_\_\_\_\_  
 80 \_\_\_\_\_





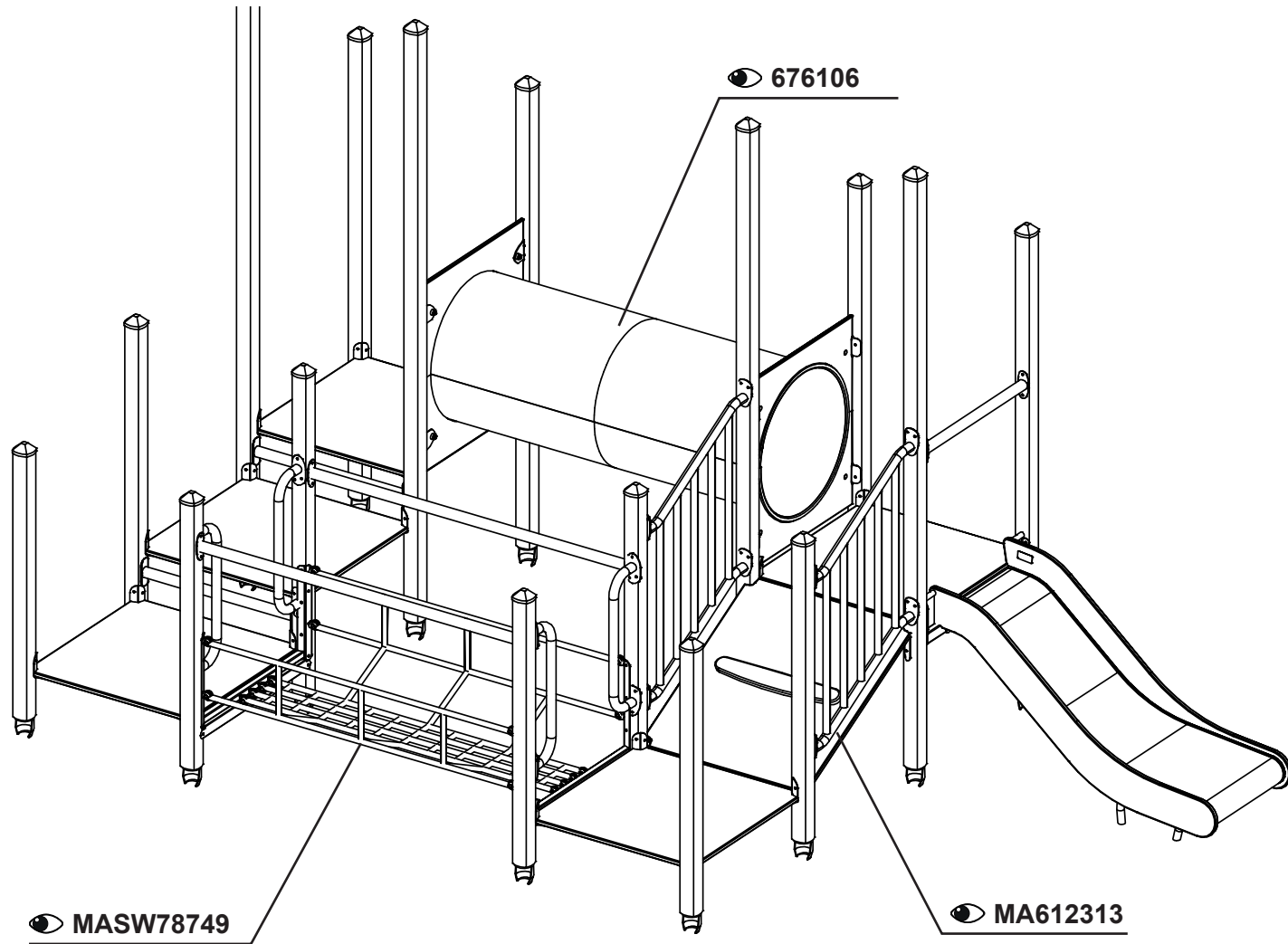
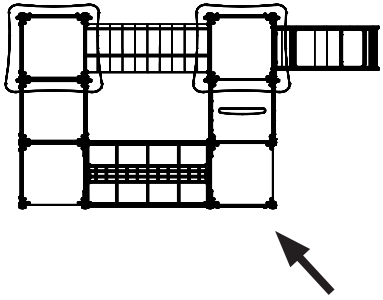
638113  
x2

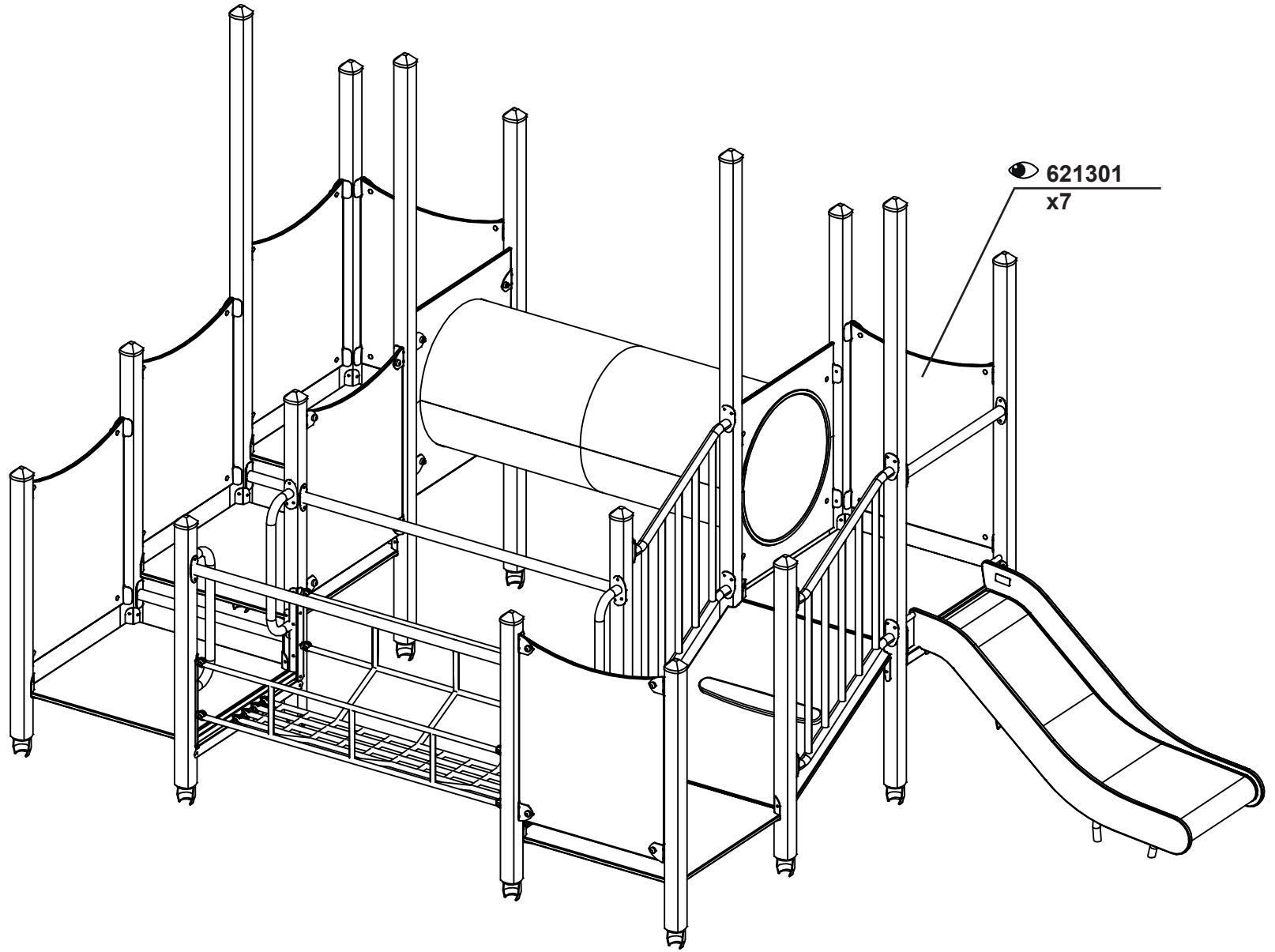
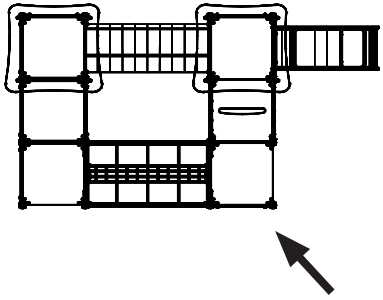


+0,52m

+0,34m

6342 [SF]  
OM6342 [OM]





621301  
x7



