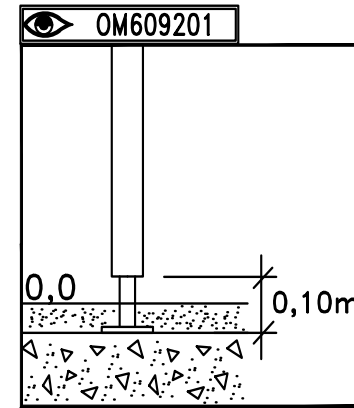
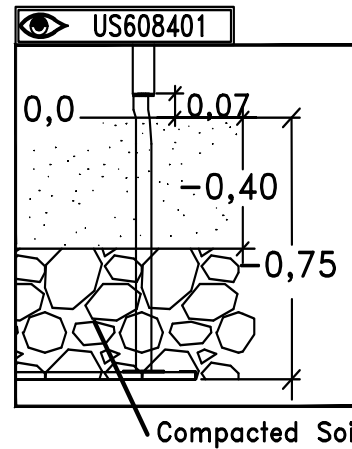
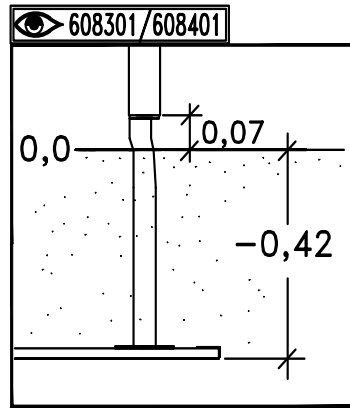


260329
621301
638113
62099113
608401
OM609201
6342 [SF]
MA612313
6101
MASW78431
MASW78749
MASW90339
OM6342 [OM]



SF
Sunken Foundation

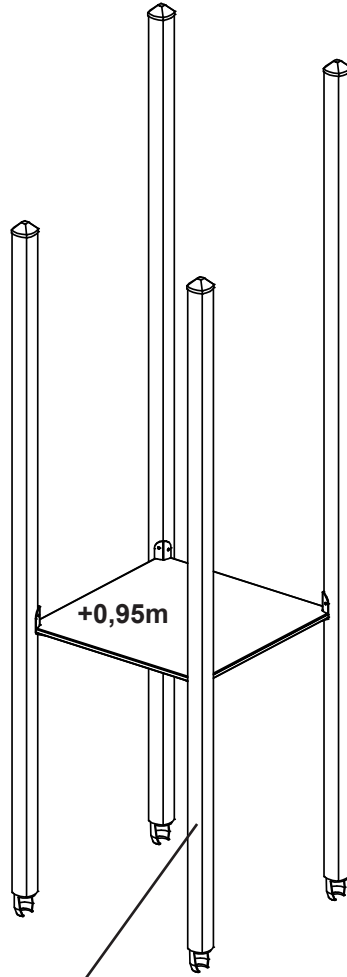
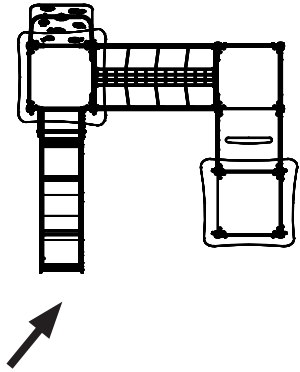
8077968
 8105685
 80 _____
 80 _____

BM
Loosefill

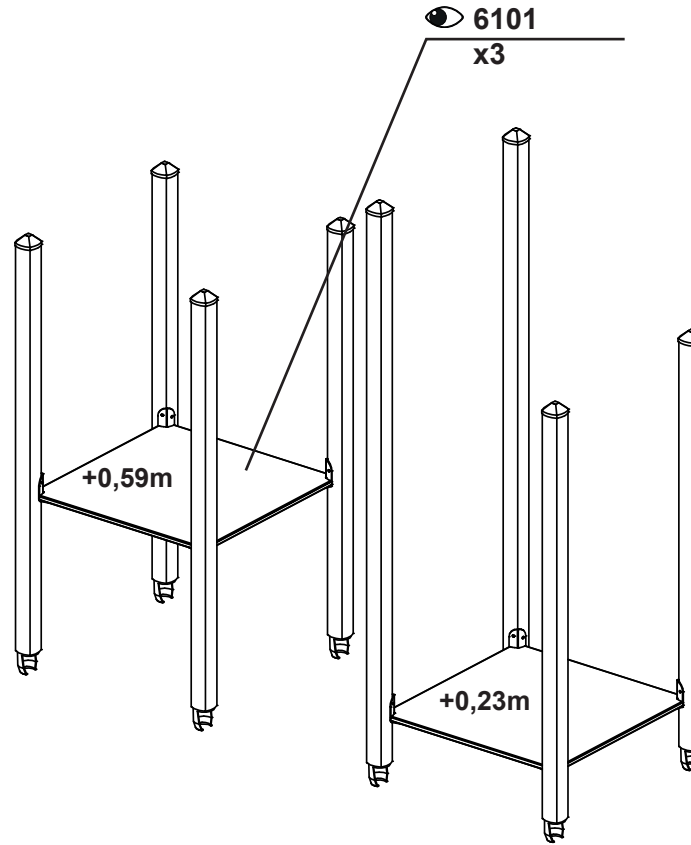
80 _____
 80 _____
 80 _____
 80 _____

OM
Above Ground

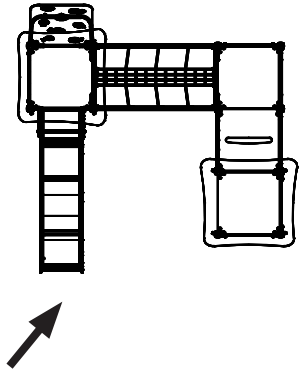
8105686
 80 _____
 80 _____
 80 _____



6084 01
x12

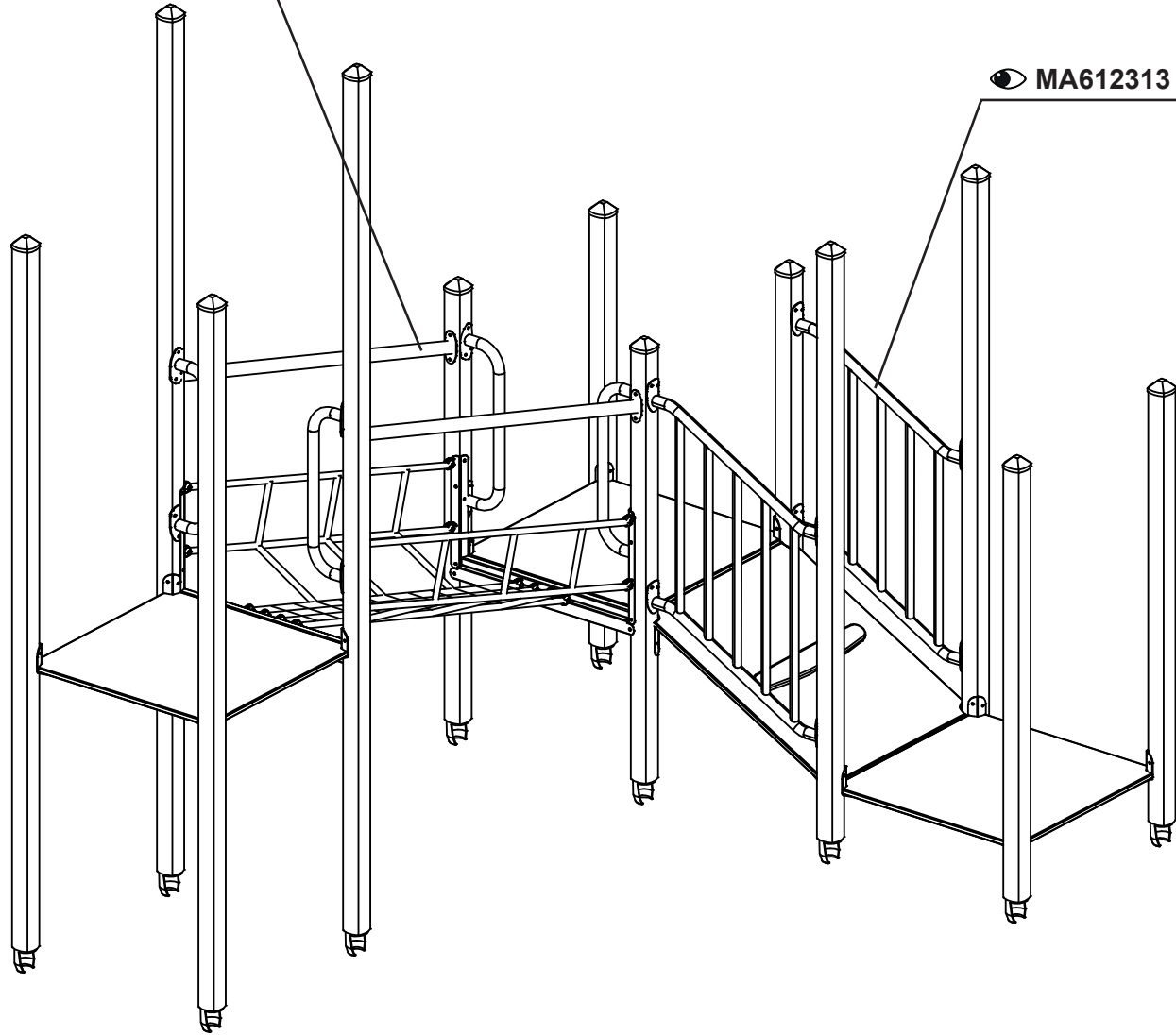


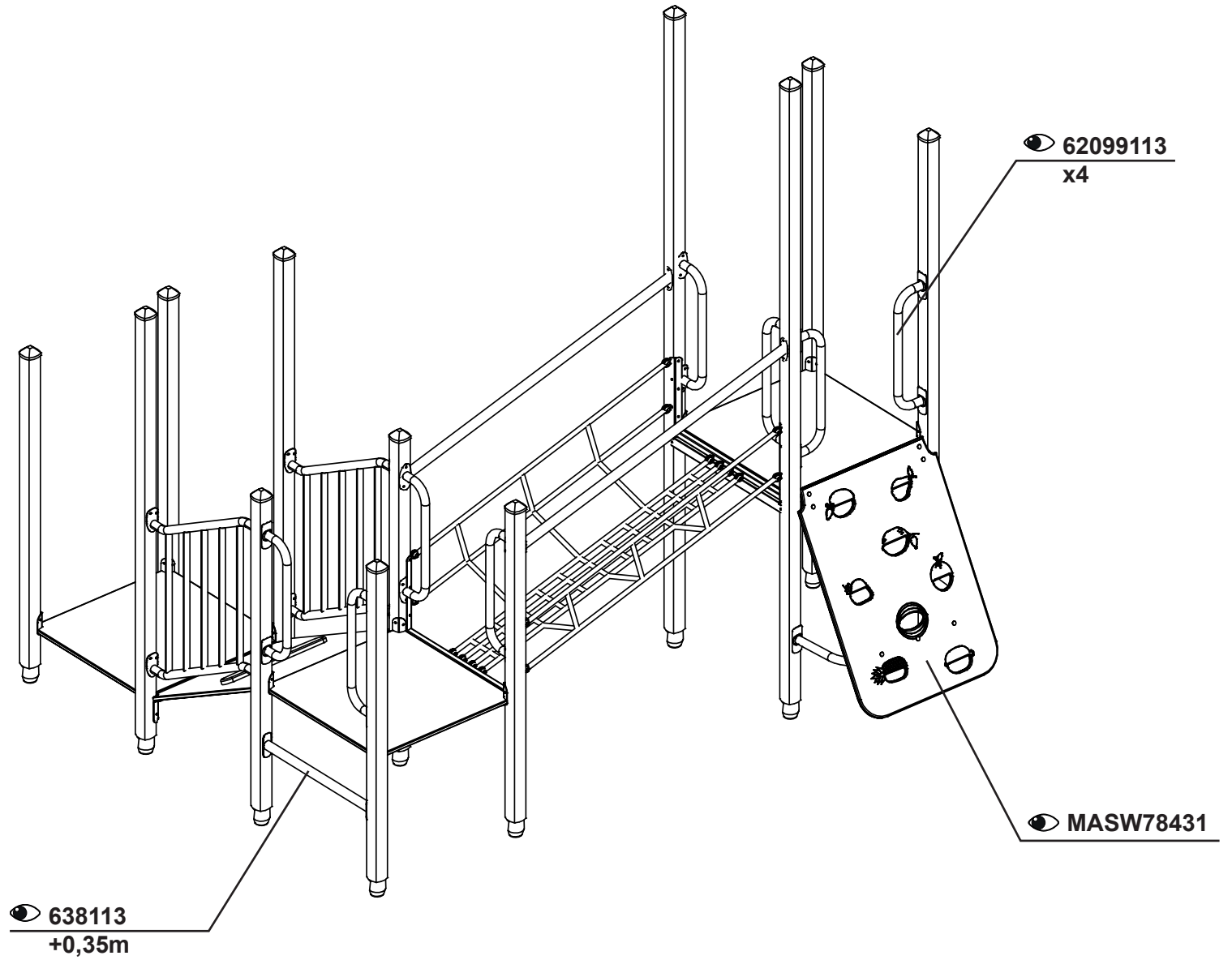
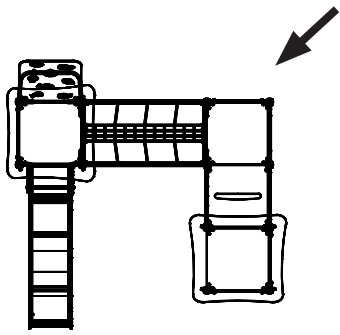
6101
x3

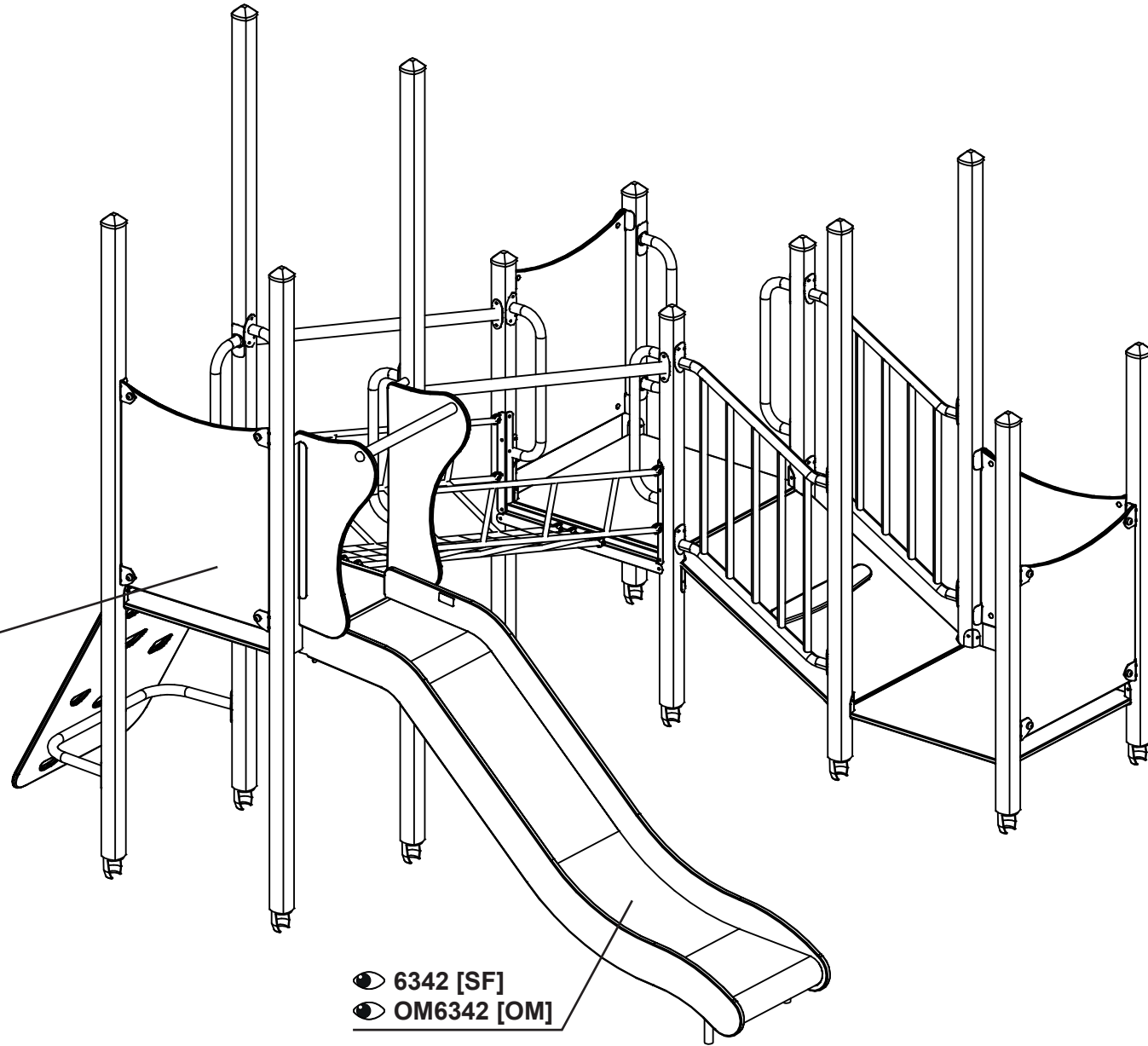
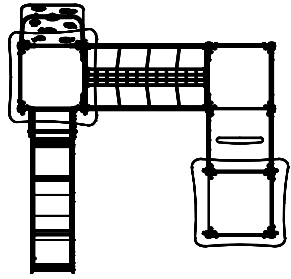


● MASW78749

● MA612313

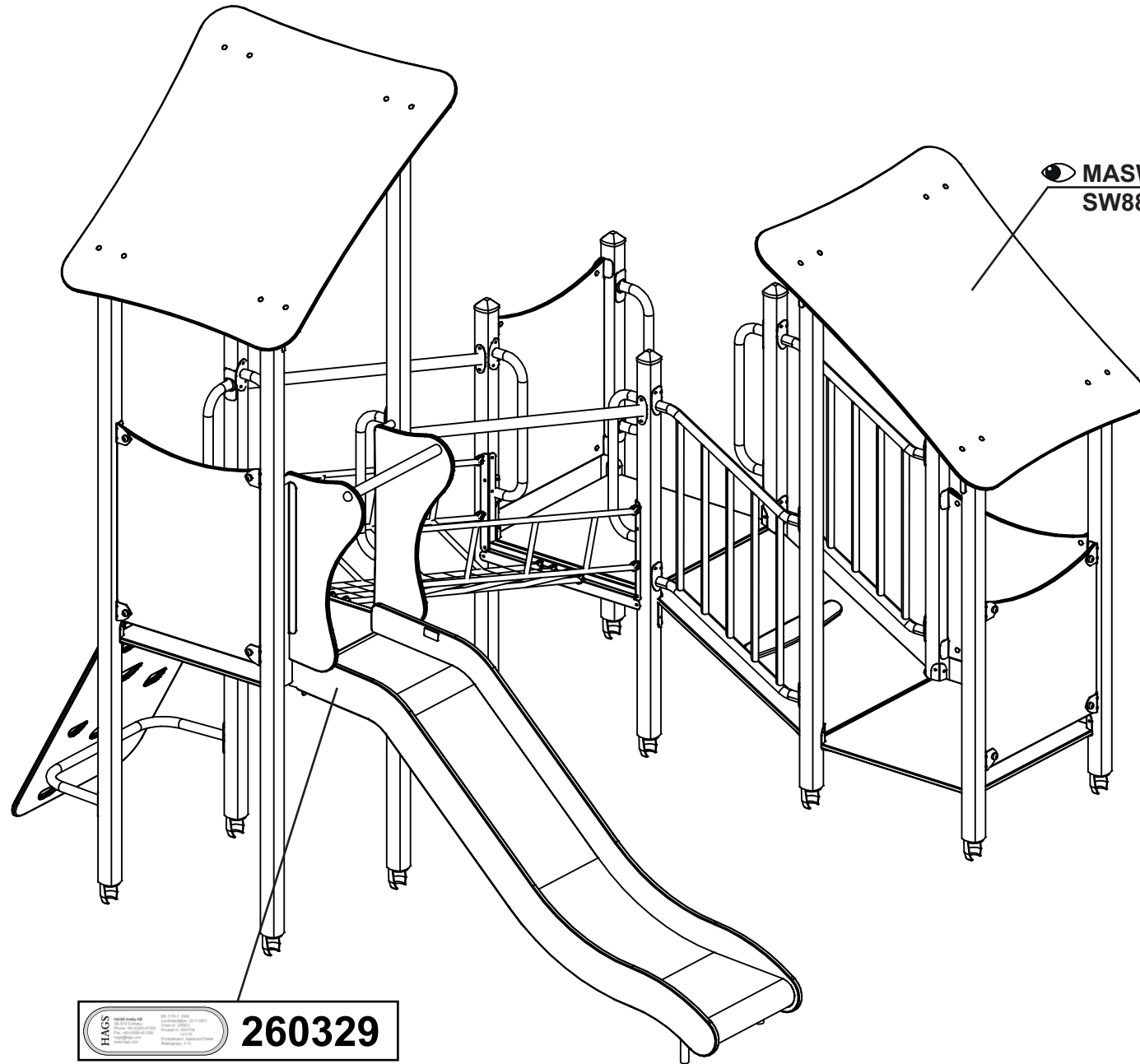
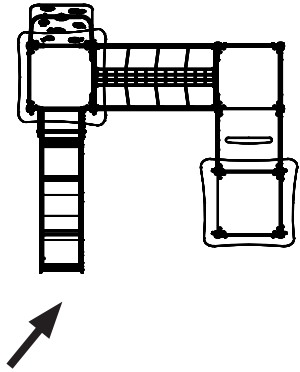






621301
x4

6342 [SF]
OM6342 [OM]



HAGS
 260329