

42008010

2.9m

3.5m

2.9m

1m

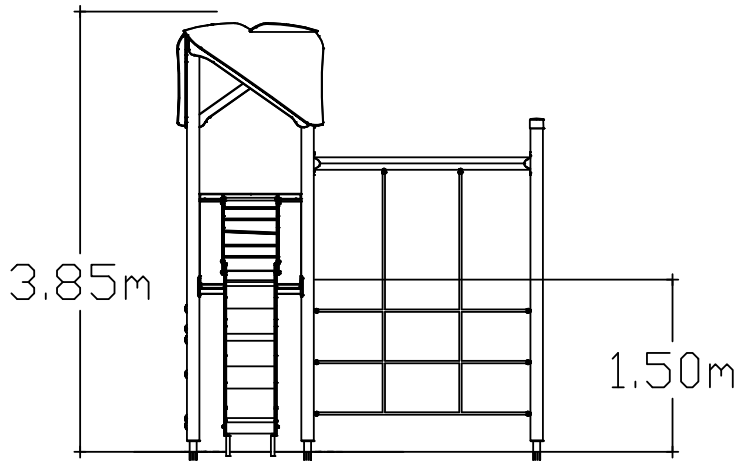
3.5m

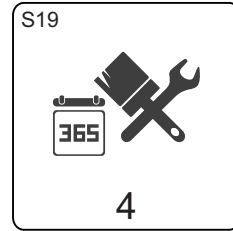
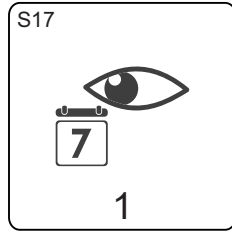
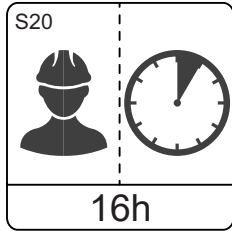
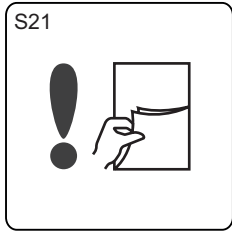
2.9m

2.9m

1m

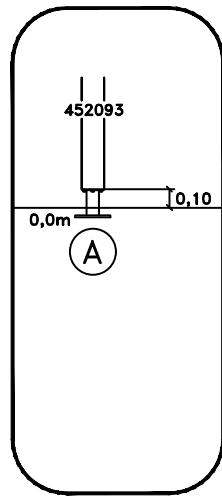
2m





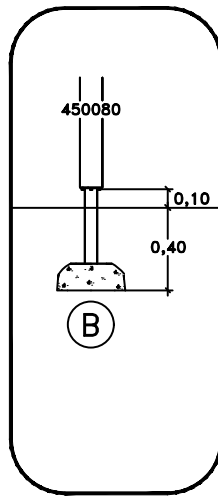
260329
441000
42008010
MA45060310
MA45060520
MA450994
MA452213 [OM]
MA453213 [SF]
MA454213 [BM]
MA62693
MASW39775
MASW42193
MASW63820
MASW78734
ST4203

42008010



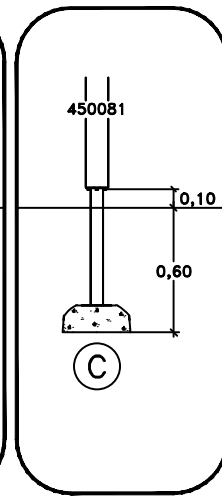
OM
Above Ground

8105899
80 _____
80 _____
80 _____
80 _____



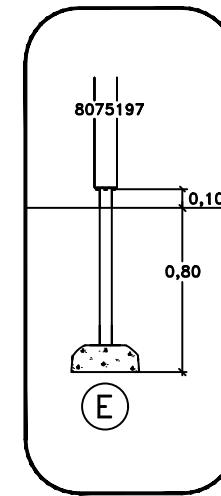
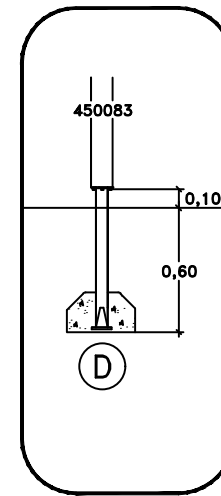
SF
Sunken Foundation

8105902
80 _____
80 _____
80 _____
80 _____



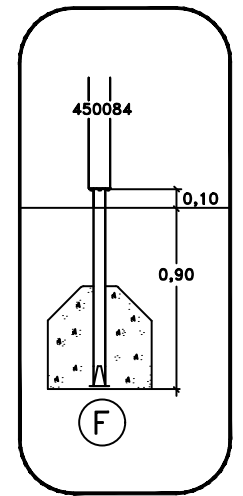
CC
Cast In Place

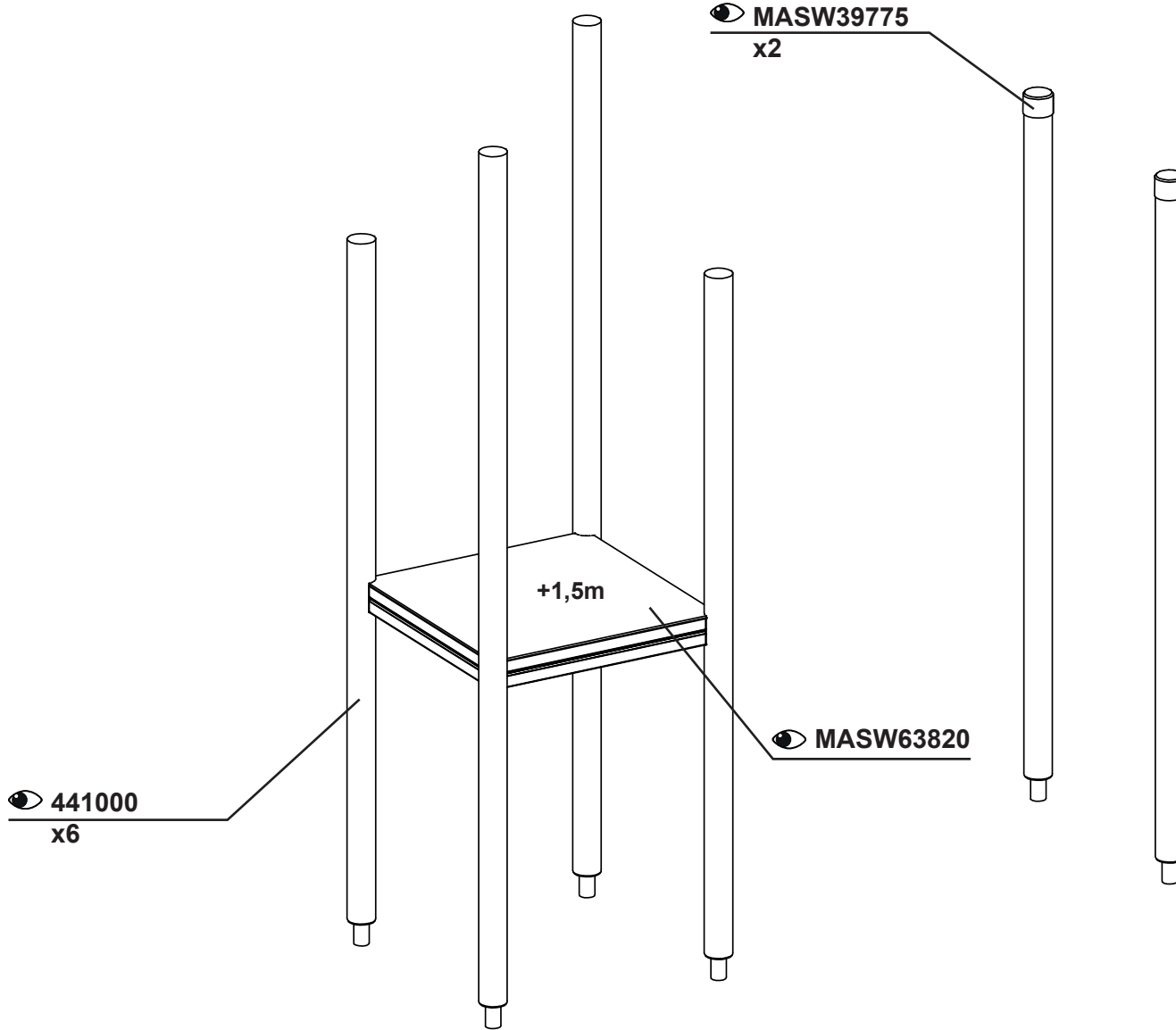
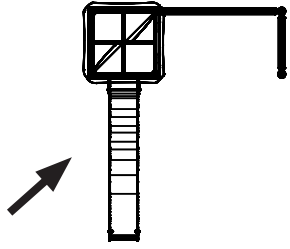
8077983
8105896
80 _____
80 _____

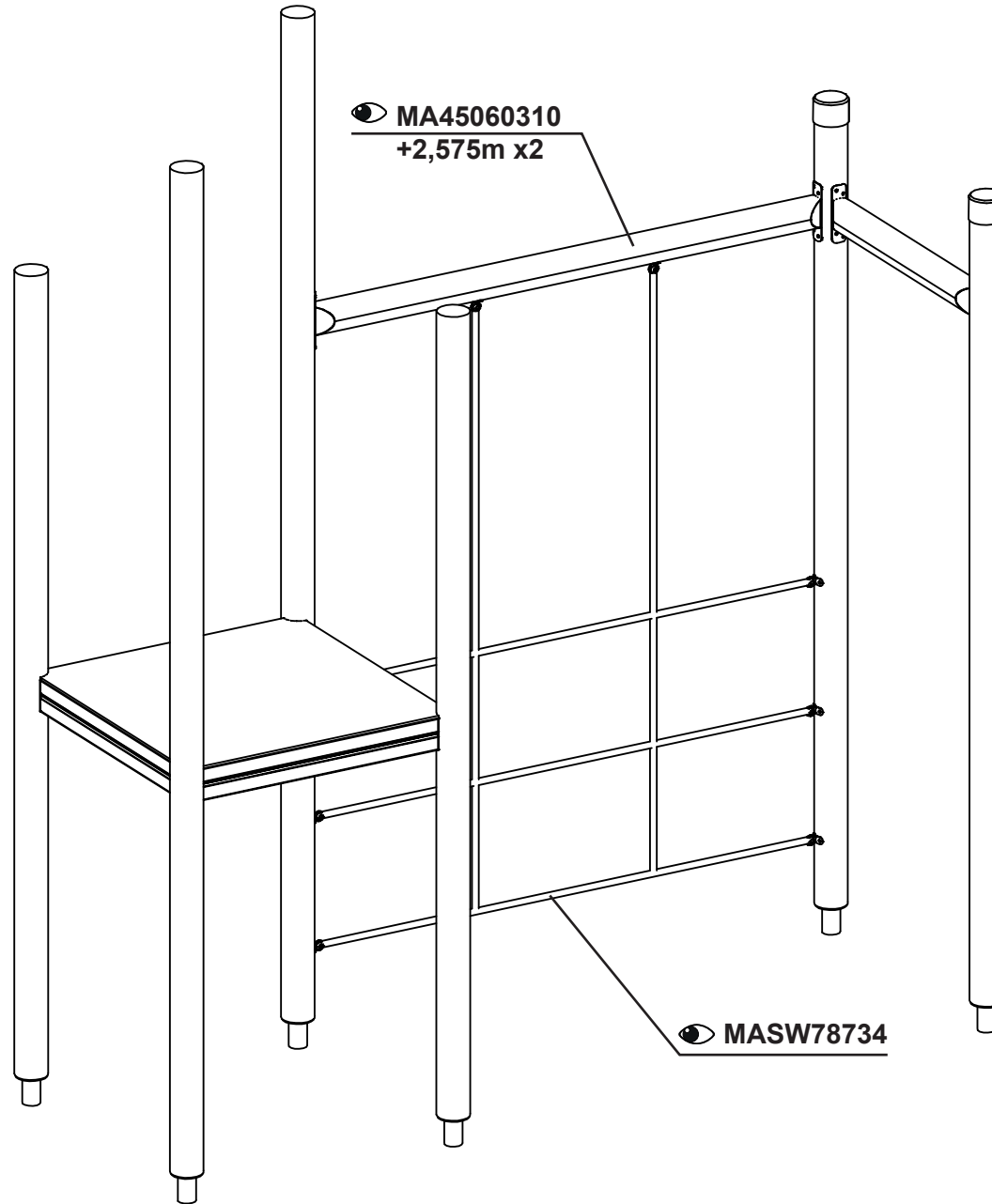
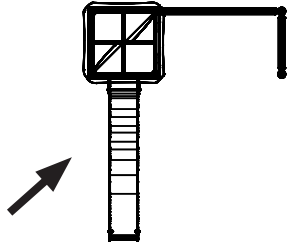


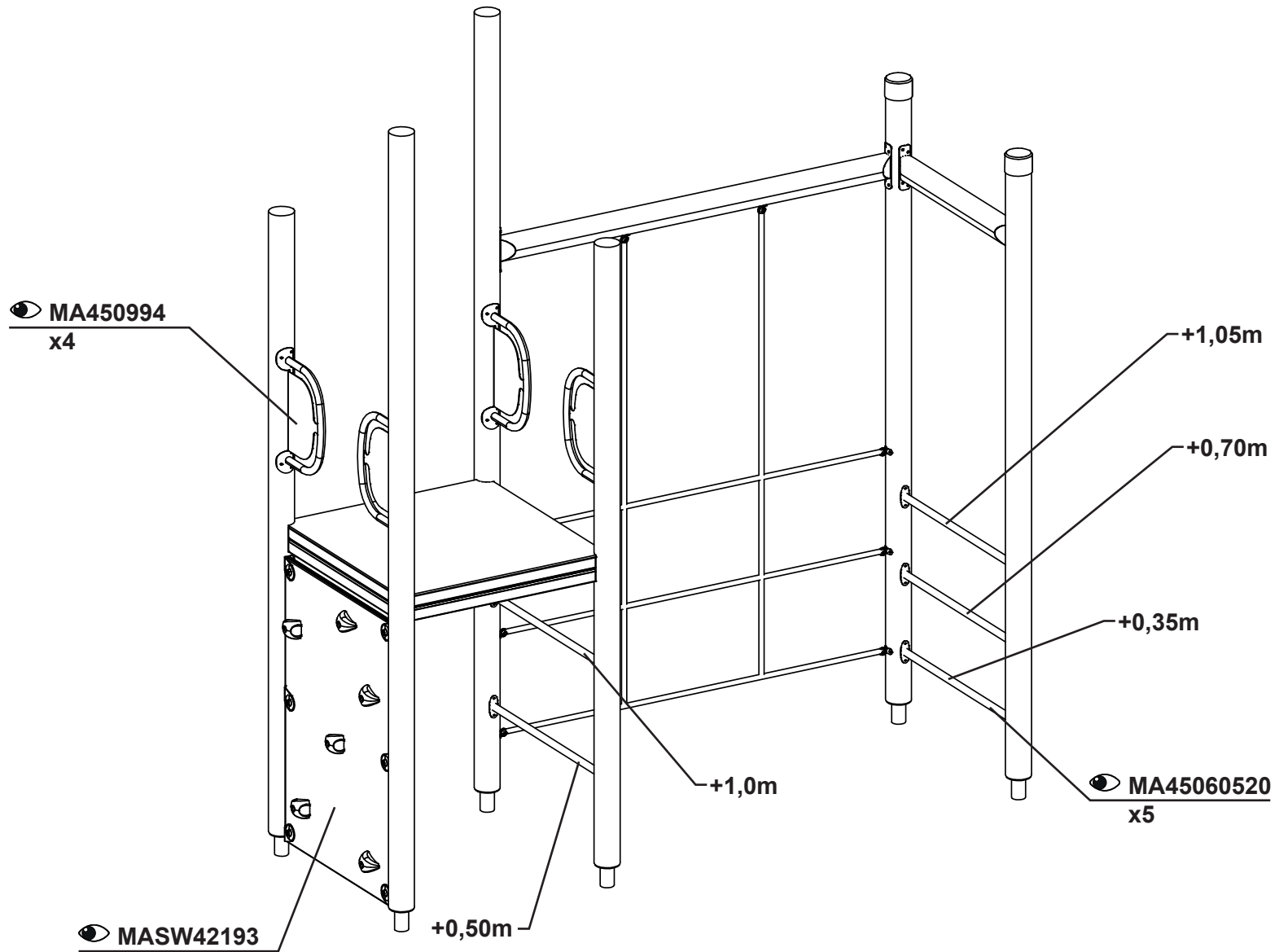
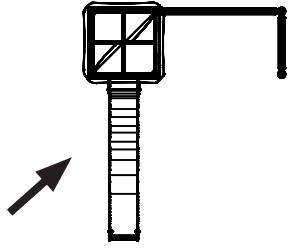
BM
Loosefill

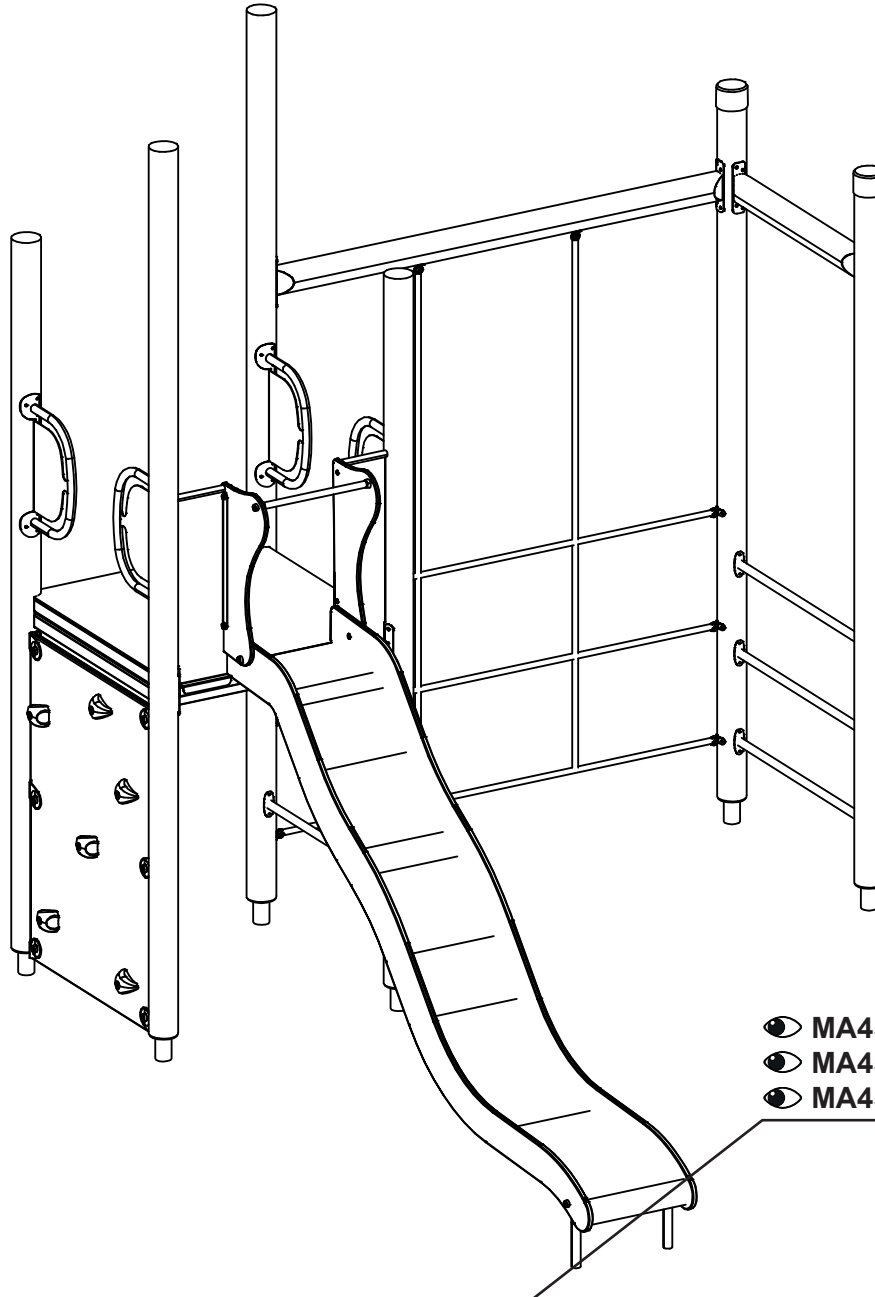
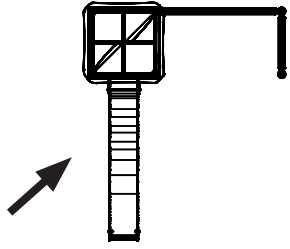
80 _____
80 _____
80 _____
80 _____



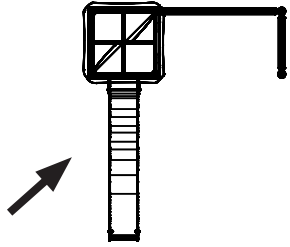








- MA453213 [SF]
- MA454213 [BM]
- MA452213 [OM]



ST4203

MA62693

HAGS 1000 Maple Ave 1000 Maple Ave P.O. Box 2000 Huntsville, TN 37402 423.899.1000	2017-2018 2018-2019 2019-2020 2020-2021 2021-2022 2022-2023 2023-2024
	260329