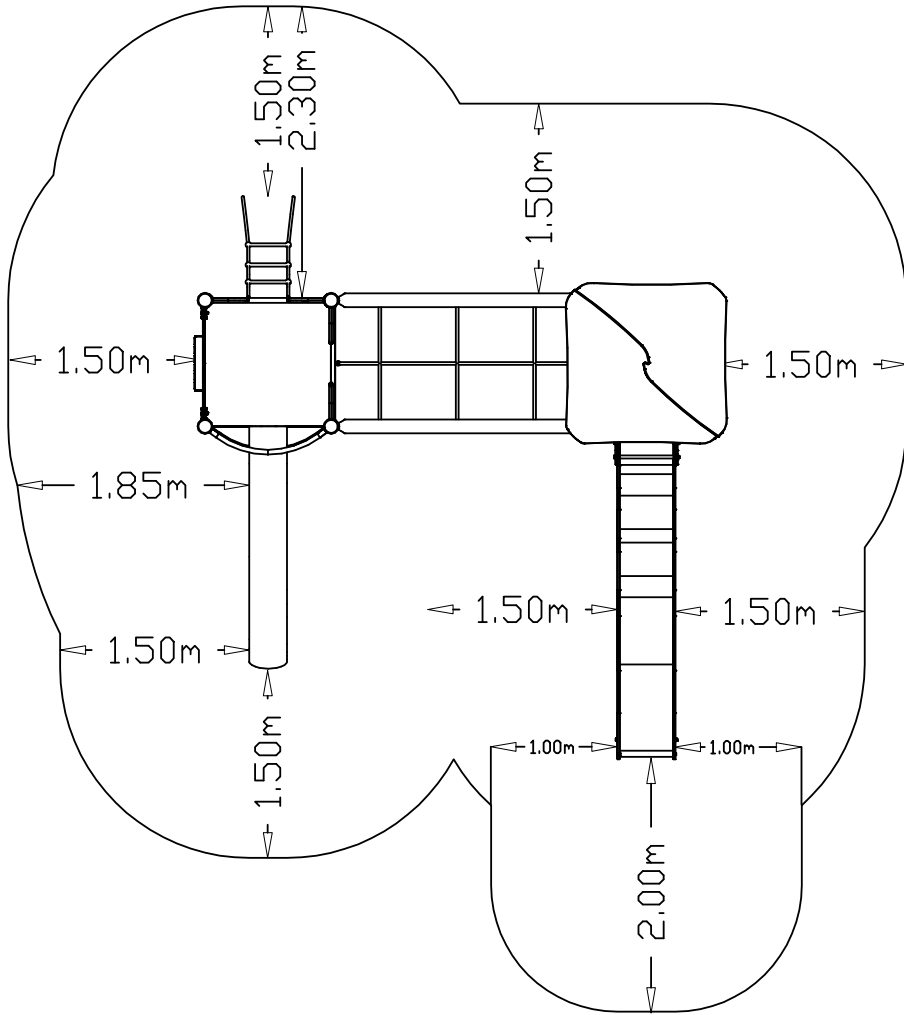
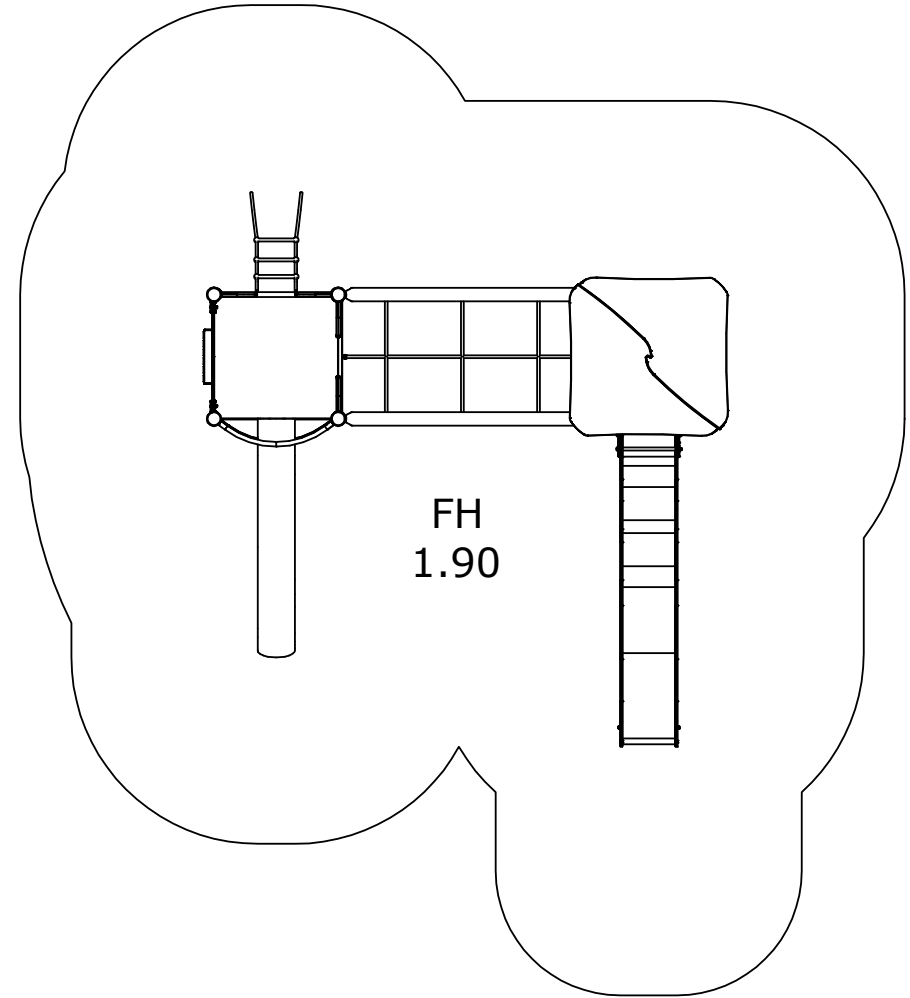


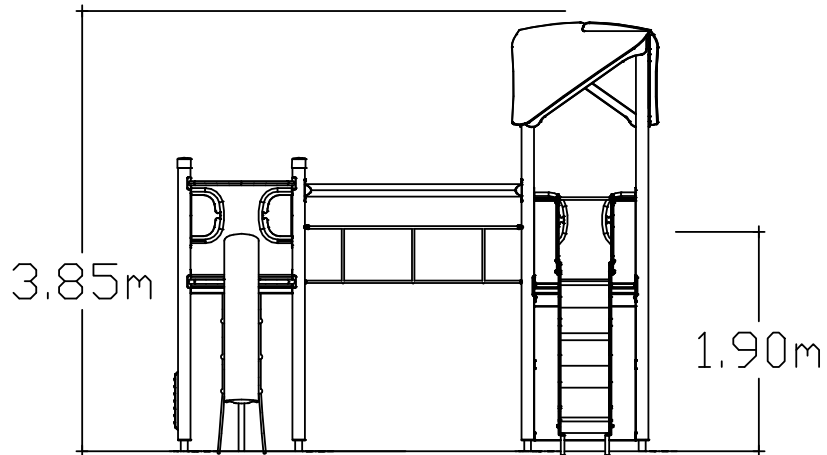
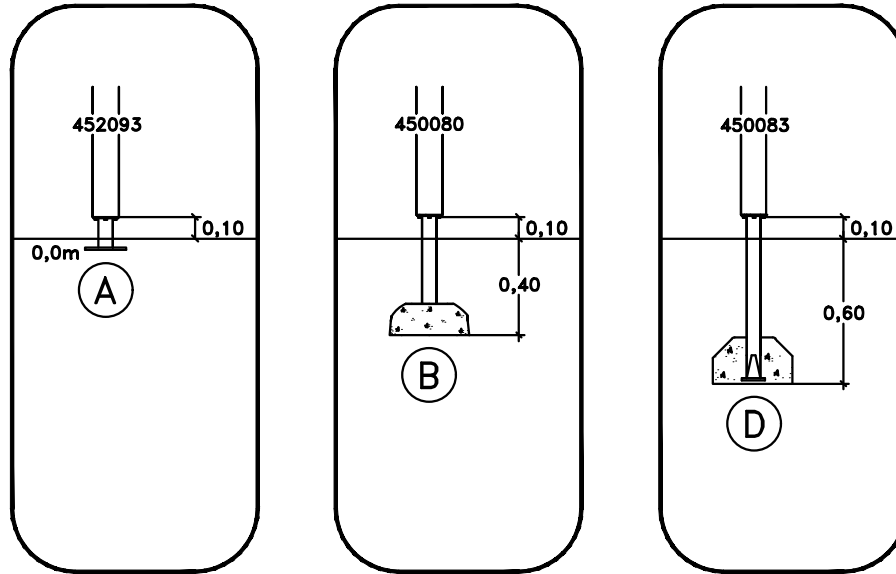
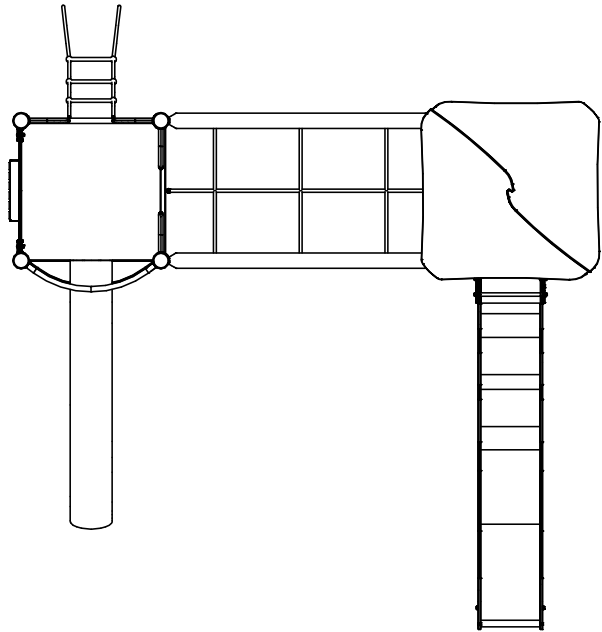
7.10m

4.20m

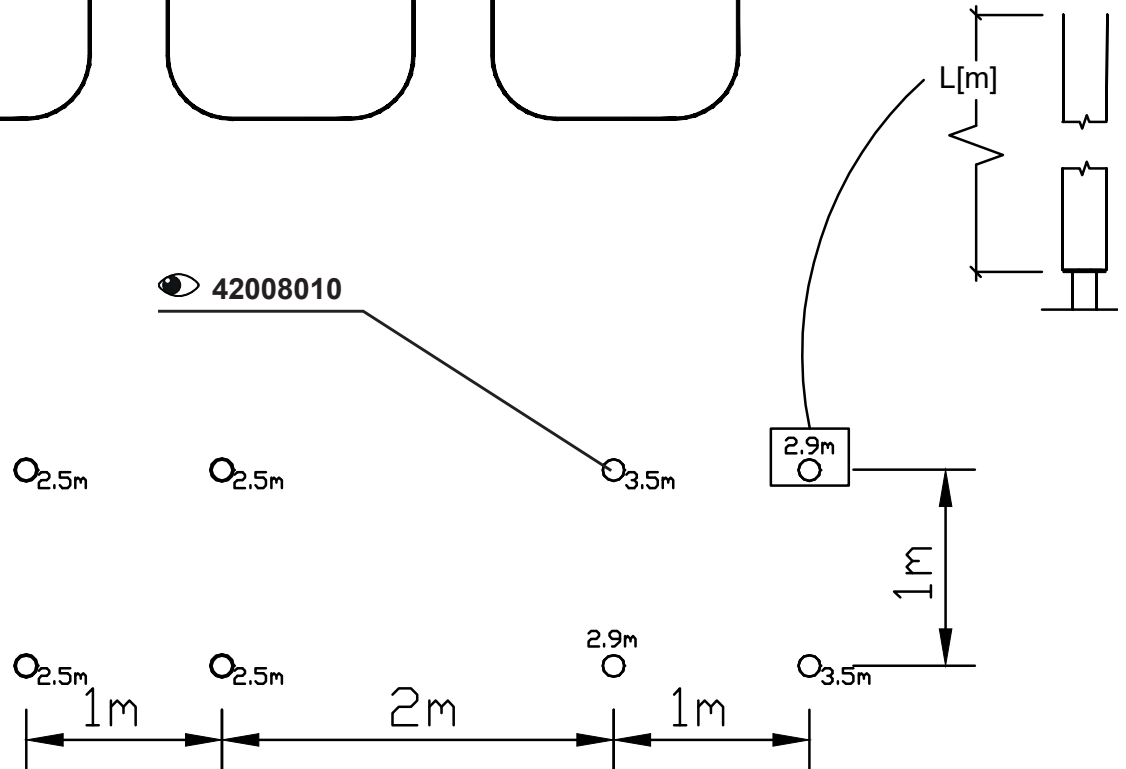


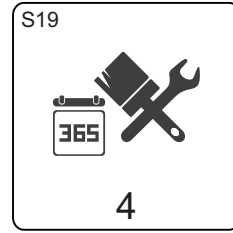
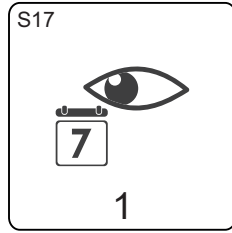
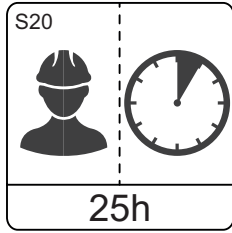
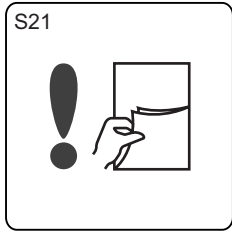
4.45m
7.95m



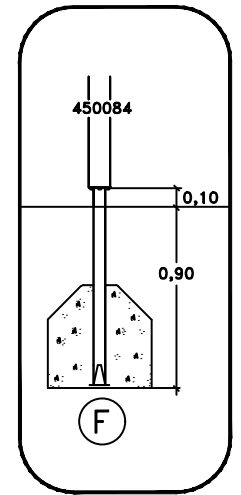
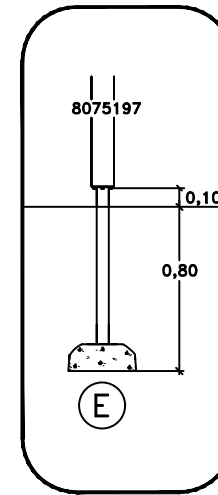
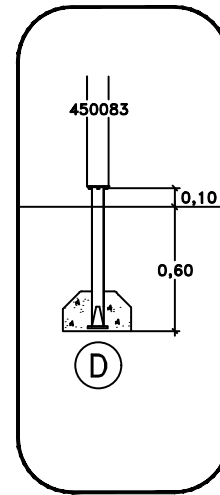
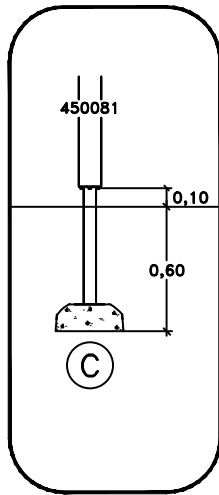
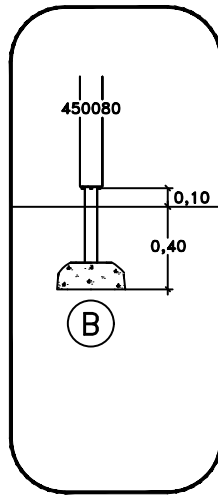
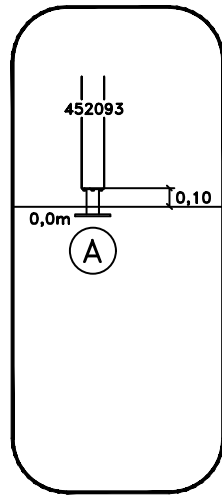


42008010





260329
420960
441000
42008010
45071910_2 [SF]
45271910_2 [OM]
45471910_2 [BM]
MA450994
MA452213 [OM]
MA453213 [SF]
MA454213 [BM]
MA62693
MASW39102
MASW39775
MASW42193
MASW63820
MASW78438
ST4203



OM
Above Ground

8105964
80 _____
80 _____
80 _____
80 _____

SF
Sunken Foundation

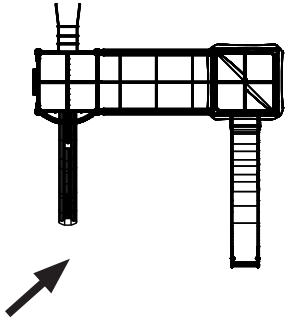
8105968
80 _____
80 _____
80 _____
80 _____

CC
Cast In Place

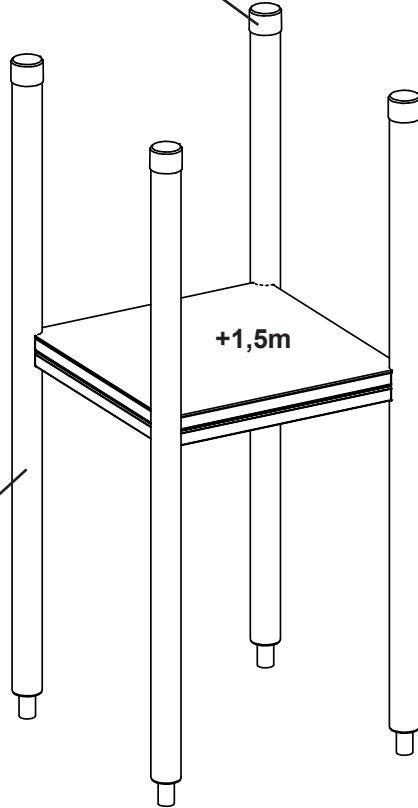
8077987
8105951
80 _____
80 _____

BM
Loosefill

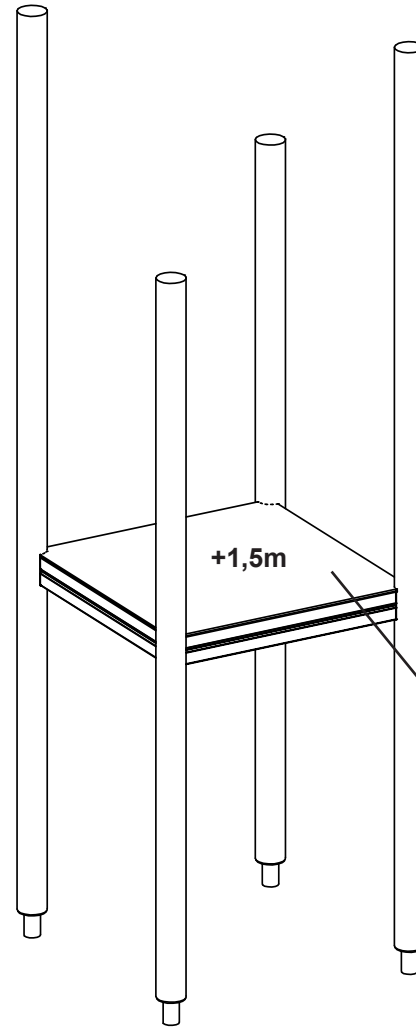
80 _____
80 _____
80 _____
80 _____



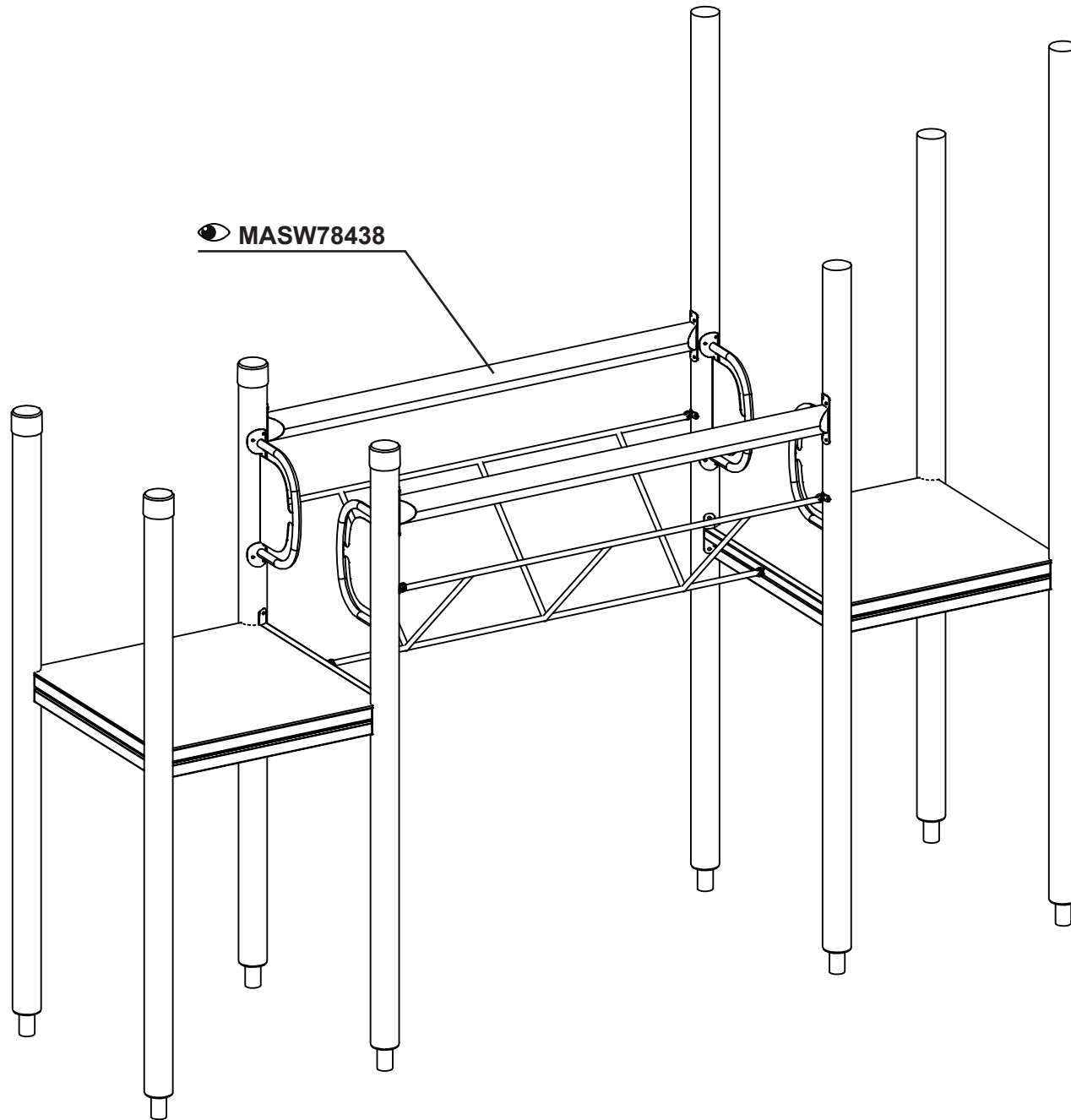
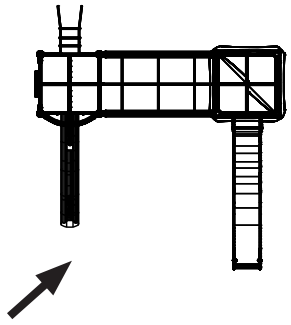
👁 MASW39775
x4

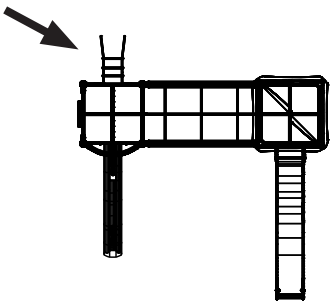


👁 441000
x8



👁 MASW63820
x2

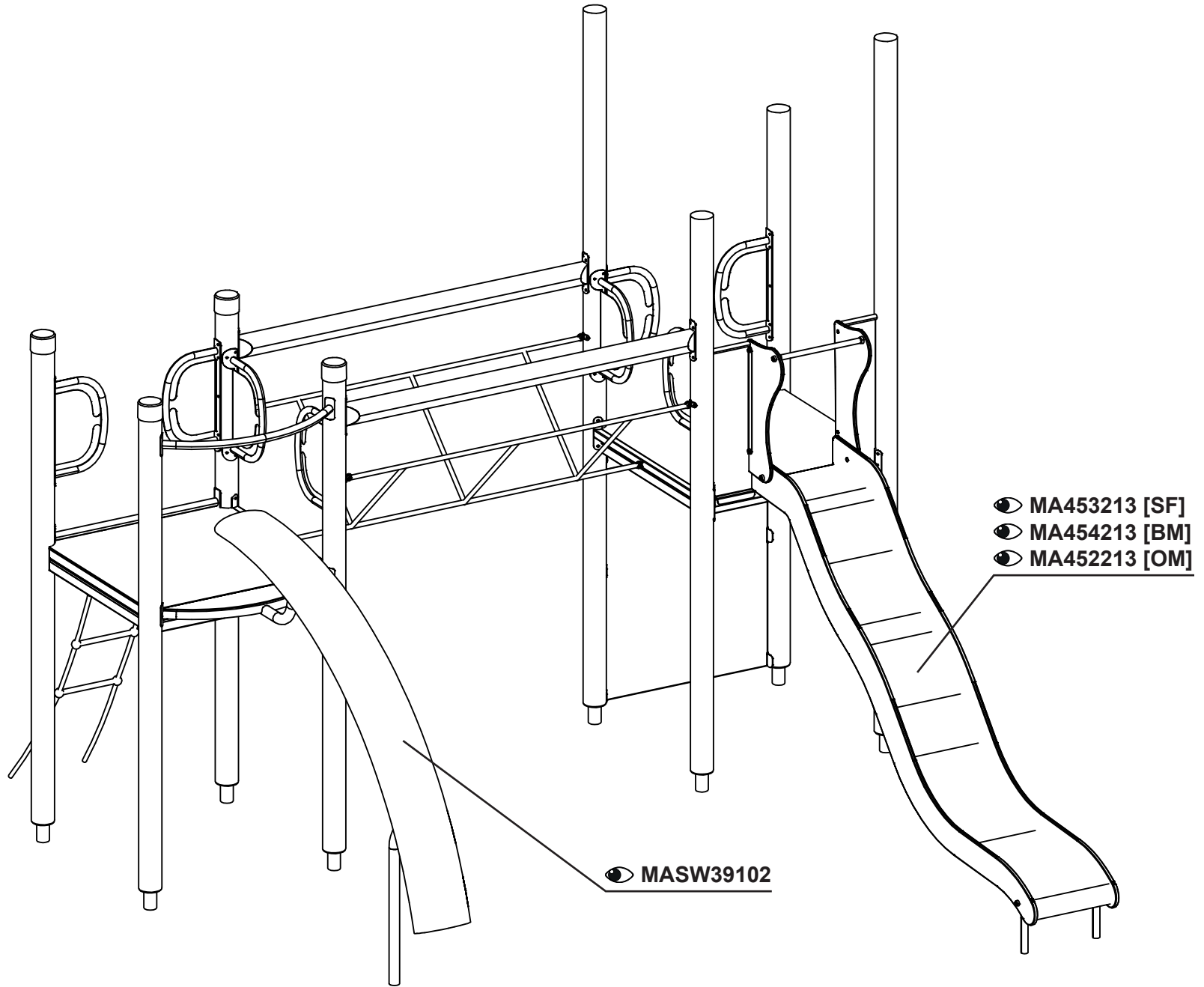
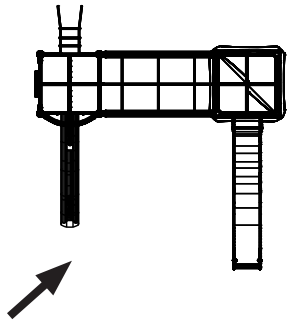


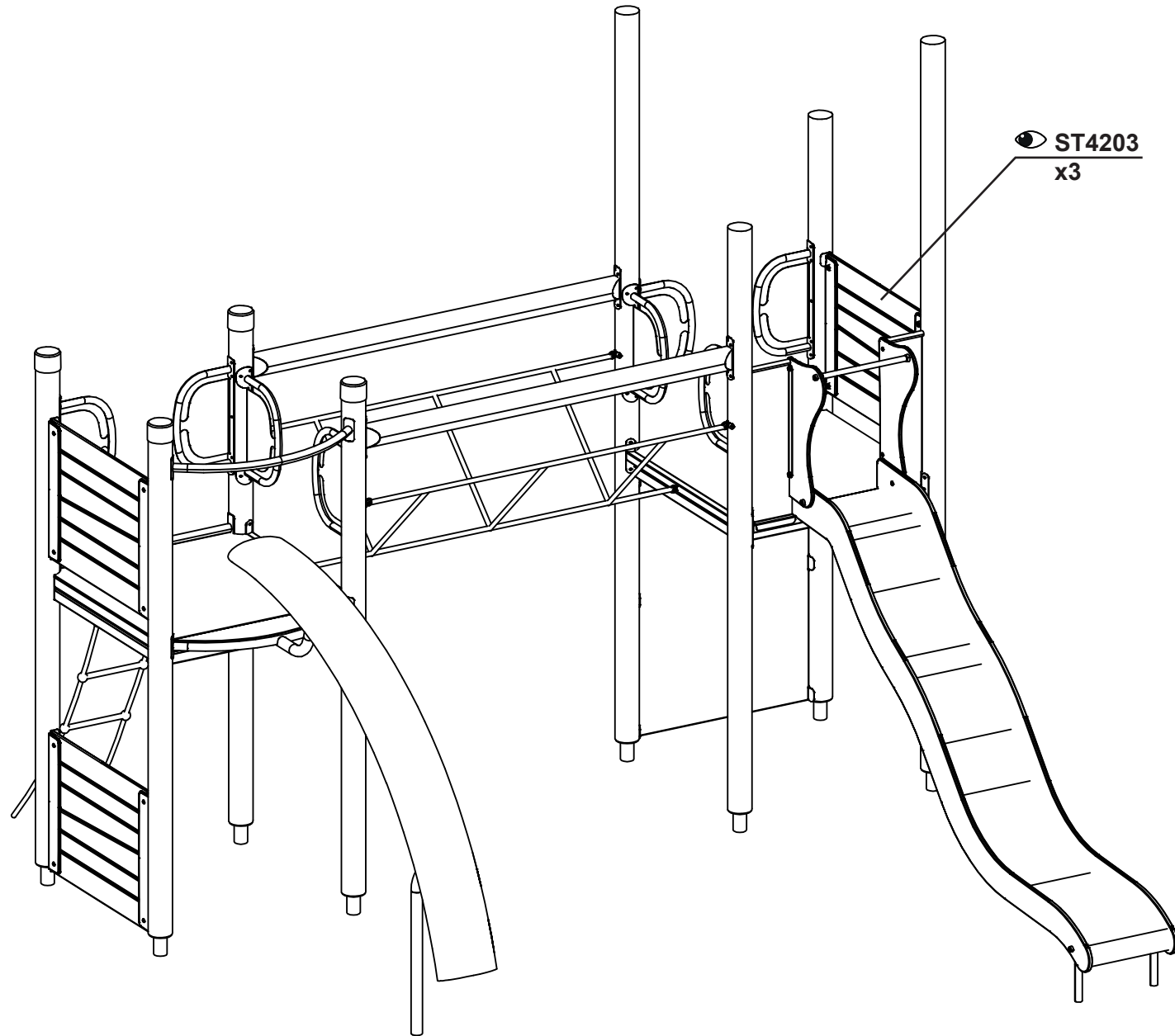
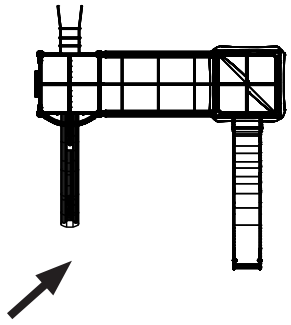


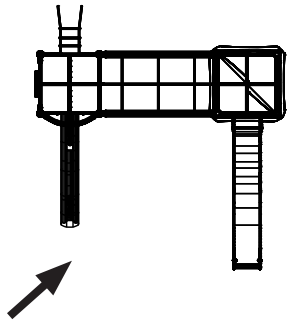
MA450994
x4

MASW42193

45071910_2 [SF]
45471910_2 [BM]
45271910_2 [OM]







MA62693

420960

HAGS 260329